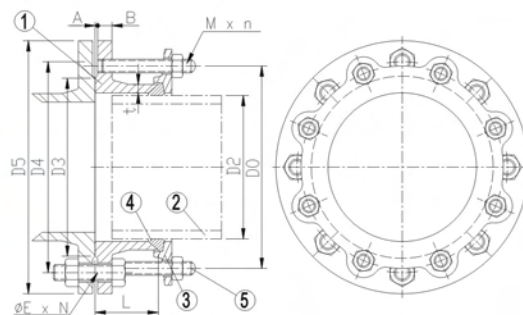


# FLANGE ADAPTORS

For Ductile Iron Pipe

◆ ISO 2531:2000 / BS EN 545:2000



NO	PART NAME	MATERIAL
①	BODY	DUCTILE IRON
②	PIPE	DUCTILE IRON
③	RETAINER	DUCTILE IRON
④	RING	RUBBER
⑤	STUD	ELECTROPLATED GALVANIZED STEEL

## MATERIAL SPECIFICATION

### Bolts & Nuts

Electroplated Galvanized Zinc.  
Hot Dip Galvanized or S.S available at extra cost

BS 729:1971, ISO 1461

### Center Sleeve

Ductile Iron

BS 2789:1985 Grade 420/12

### End Gland Ring

Ductile Iron

BS 2789:1985 Grade 420/12

### Rubber Gasket

SBR, EPDM or other

BS 2494:1990 Type W

### Coating

Fusion Bonded Epoxy or Epoxy Coat

Minimum 200 µm thick

Flange drilled to BS 4504 PN 10 or PN 16 (BS EN 1092-1)

Dimension in mm

DN	D <sub>2</sub>	t	L	M	PN10								PN16									
					D <sub>3</sub>	D <sub>4</sub>	D <sub>5</sub>	D <sub>0</sub>	A	B	ØE	N	n	D <sub>3</sub>	D <sub>4</sub>	D <sub>5</sub>	D <sub>0</sub>	A	B	ØE	N	n
80	98	7.0	73	M16	132	160	200	160	3	16.0	19	8	4	132	160	200	166	3	16.0	19	8	4
100	118	7.5	76	M16	156	180	220	180	3	16.0	19	8	4	156	180	220	187	3	16.0	19	8	4
125	144	7.5	76	M16	184	210	250	210	3	16.0	19	8	4	184	210	250	210	3	16.0	19	8	4
150	170	8.0	76	M16	211	240	285	240	3	16.0	23	8	4	211	240	285	240	3	16.0	23	8	4
200	222	8.5	76	M16	266	295	340	295	3	17.0	23	8	4	266	295	340	295	3	17.0	23	12	6
250	274	9.0	90	M16	319	350	400	350	3	19.0	23	12	6	319	355	400	355	3	19.0	28	12	6
300	326	10.0	90	M16	370	400	455	400	4	20.5	23	12	6	370	410	455	410	4	20.5	28	12	6
350	378	10.5	108	M20	429	460	505	460	4	20.5	23	16	8	429	470	520	470	4	22.5	28	16	8
400	429	11.0	108	M20	480	515	565	515	4	20.5	28	16	8	480	525	580	525	4	24.0	31	16	8
450	480	11.5	108	M20	527	565	615	565	4	21.5	28	20	10	544	585	640	585	4	26.0	31	20	10
500	532	12.0	114	M20	582	620	670	620	4	22.5	28	20	10	609	650	715	650	4	27.5	34	20	10
600	635	13.5	114	M20	682	725	780	725	5	25.0	31	20	10	720	770	840	770	5	31.0	37	20	10
700	738	14.5	114	M20	794	840	895	840	5	27.5	31	24	12	794	840	910	840	5	34.5	37	24	12
800	842	16.0	114	M20	901	950	1015	950	5	30.0	34	24	12	901	950	1025	950	5	38.0	40	24	12
900	945	17.0	114	M20	1001	1050	1115	1050	5	32.5	34	28	14	1001	1050	1125	1050	5	41.5	40	28	14
1000	1048	18.0	114	M20	1112	1160	1230	1160	5	35.0	37	28	14	1112	1170	1255	1170	5	45.0	43	28	14
1100	1152	19.5	127	M20	1215	1270	1340	1270	5	37.5	37	32	16	1215	1270	1355	1270	5	48.5	43	32	16
1200	1255	20.5	127	M20	1328	1380	1455	1380	5	40.0	40	32	16	1328	1390	1485	1390	5	52.0	49	32	16
1400	1462	23.0	127	M20	1530	1590	1675	1590	5	41.0	43	36	18	1530	1590	1685	1590	5	55.0	49	36	18
1500	1565	24.0	127	M20	1640	1700	1785	1700	5	42.5	43	36	18	1640	1710	1820	1710	5	57.5	56	36	18
1600	1668	25.5	190	M20	1750	1820	1915	1820	5	44.0	49	40	20	1750	1820	1930	1820	5	60.0	56	40	20
1800	1875	28.0	190	M20	1950	2020	2115	2020	5	47.0	49	44	22	1950	2020	2130	2020	5	65.0	56	44	22
2000	2082	30.0	190	M20	2150	2230	2325	2230	5	50.0	49	48	24	2150	2230	2345	2230	5	70.0	62	48	24



**SHIN NAN CASTING FACTORY CO., LTD.**

72, Jou-Wei Street, Yen-Jou-Li, Yung Kang City, Tainan Hsien 710, Taiwan, R.O.C.

http://www.snpipe.com e-mail:sales@snpipe.com.tw Tel:+886-6-2534185 Fax:+886-6-2533554