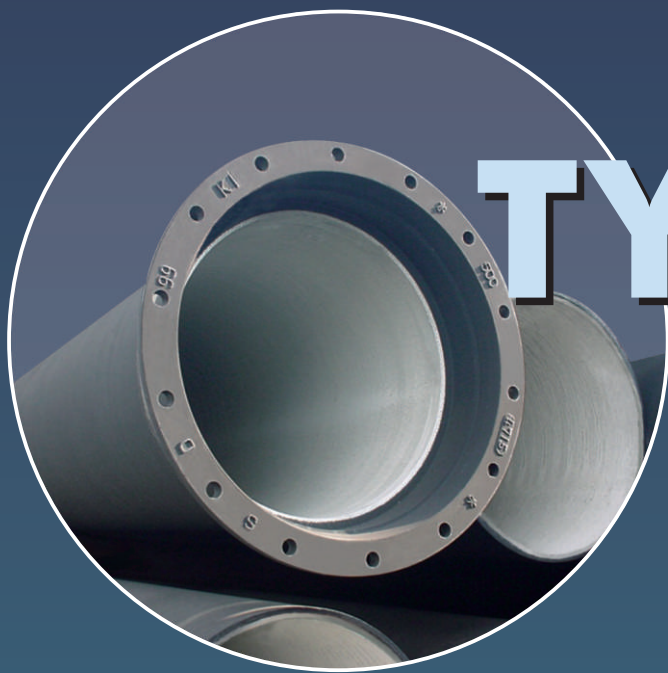




K 型延性鑄鐵管及管件 凸緣型延性鑄鐵管件

《符合CNS 10808 G3219 / JIS G5526 / CNS 13272 G3253 / JIS G5527》



TYPE K

Ductile Iron Pipes and Fittings



F

Ductile Iron Fittings

FLANGED

興南鑄造廠股份有限公司
SHIN NAN CASTING FACTORY CO., LTD.
<http://www.snpipe.com> e-mail: sales@snpipe.com

K 型延性鑄鐵管及管件

• K 型延性鑄鐵管	1
• K 型延性鑄鐵管件	3
• K 型三承口十字管	4
• K 型雙承口丁字管	5
• K 型縮管	7
• K 型彎管	9
• K 型帶座彎管	11
• 雙凸緣帶座彎管	12
• K 型凸緣丁字管 (排氣閥用 · 消防栓用 · 人孔用)	13
• K 型排水丁字管	14
• K 型套管	15
• K 型短管	16
• K 型管塞	17
• K 型用接合配件 - 壓圈	18
• K 型用接合配件 - T 頭螺栓 · 螺帽	19
• K 型用接合配件 - 橡膠圈	20

凸緣型延性鑄鐵管件

• 凸緣型延性鑄鐵管件	21
• 凸緣長管	23
• 凸緣短管	24
• 三凸緣丁字管	25
• 雙凸緣丁字管	26
• 過牆管	27
• 凸緣縮管	28
• 凸緣彎管 90°	29
• 凸緣彎管 45°	30
• 制水閥副管 B 1 號 (7.5K · 10K 用)	31
• 制水閥副管 B 1 號 (16K · 20K 用)	32
• 盲蓋 (型式 1)	33
• 盲蓋 (型式 2)	34
• 人孔蓋	35
• 喇叭管	36
• 伸縮管	37
• 拉桿式伸縮接頭	38
• 凸緣型用接合配件 - 六角螺栓 · 螺帽	39
• 凸緣型用接合配件 - 墊片	40

SHIN NAN CASTING FACTORY CO., LTD.

SHIN NAN CASTING FACTORY CO., LTD.

SHIN NAN CASTING FACTORY CO., LTD.

SHIN NAN CASTING FACTORY CO., LTD.

SHIN NAN CASTING FACTORY CO., LTD.

SHIN NAN CASTING FACTORY CO., LTD.

SHIN NAN CASTING FACTORY CO., LTD.

SHIN NAN CASTING FACTORY CO., LTD.

SHIN NAN CASTING FACTORY CO., LTD.

SHIN NAN CASTING FACTORY CO., LTD.

SHIN NAN CASTING FACTORY CO., LTD.

SHIN NAN CASTING FACTORY CO., LTD.

SHIN NAN CASTING FACTORY CO., LTD.

SHIN NAN CASTING FACTORY CO., LTD.

SHIN NAN CASTING FACTORY CO., LTD.

SHIN NAN CASTING FACTORY CO., LTD.

SHIN NAN CASTING FACTORY CO., LTD.

SHIN NAN CASTING FACTORY CO., LTD.

SHIN NAN CASTING FACTORY CO., LTD.

SHIN NAN CASTING FACTORY CO., LTD.

SHIN NAN CASTING FACTORY CO., LTD.

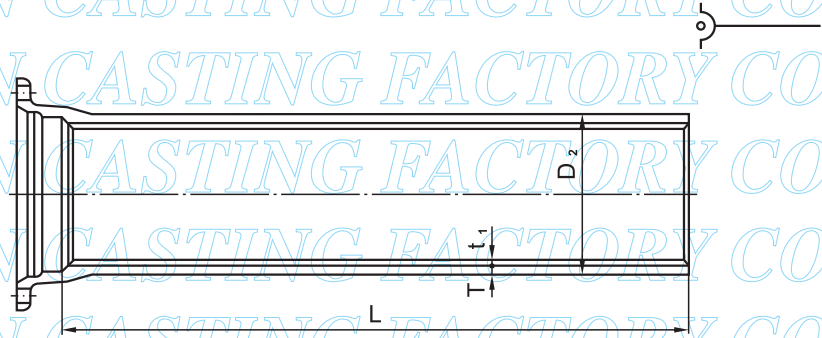
SHIN NAN CASTING FACTORY CO., LTD.

SHIN NAN CASTING FACTORY CO., LTD.

SHIN NAN CASTING FACTORY CO., LTD.

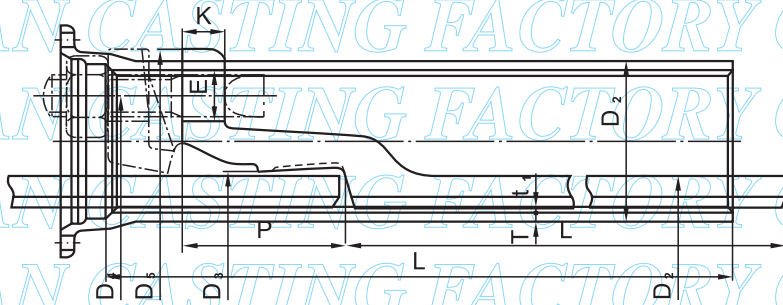
SHIN NAN CASTING FACTORY CO., LTD.

► K型延性鑄鐵管



標稱管徑 D	管 厚								內襯厚度 t ₁	外徑 D ₂	各 部 尺 度					
	D1	D1.5	D2	D2.5	D3	D3.5	D4	D4.5			D ₃	D ₄	D ₅	E	P	K
100	7.5	-	-	-	6.0	-	-	-	4	118.0	121.5	186	232	23	80	19
150	7.5	-	-	-	6.0	-	-	-	4	169.0	172.5	241	287	23	80	20
200	7.5	-	-	-	6.0	-	-	-	4	220.0	223.5	292	338	23	80	21
250	7.5	-	-	-	6.0	-	-	-	4	271.6	275.1	348	394	23	80	22
300	7.5	-	-	-	6.5	-	-	-	6	322.8	326.8	399	445	23	110	23
350	7.5	-	-	-	6.5	-	-	-	6	374.0	378.0	458	504	23	110	24
400	8.5	-	7.5	-	7.0	-	-	-	6	425.6	429.6	512	558	23	110	25
450	9.0	-	8.0	-	7.5	-	-	-	6	476.8	480.8	567	613	23	110	26
500	9.5	-	8.5	-	8.0	-	-	-	6	528.0	532.0	618	664	23	110	27
600	11.0	-	10.0	-	9.0	-	8.5	-	6	630.8	634.8	725	771	23	110	28
700	12.0	-	11.0	-	10.0	-	9.0	-	8	733.0	738.0	839	893	27	120	29
800	13.5	-	12.0	-	11.0	-	10.0	-	8	836.0	841.0	942	996	27	120	30
900	15.0	-	13.0	-	12.0	-	11.0	-	8	939.0	944.0	1052	1118	33	120	31
1000	16.5	-	14.5	-	13.0	-	12.0	-	10	1041.0	1047.0	1160	1226	33	130	32
1100	18.0	-	15.5	-	14.0	-	13.0	-	10	1144.0	1150.0	1266	1332	33	130	34
1200	19.5	-	17.0	-	15.0	-	13.5	-	10	1246.0	1253.0	1372	1438	33	130	36
1350	21.5	-	18.5	-	16.5	-	15.0	-	12	1400.0	1407.0	1536	1602	33	130	38
1500	23.5	-	20.5	-	18.0	-	16.5	-	12	1554.0	1561.0	1700	1766	33	130	40
1600	25.0	23.5	22.0	20.5	19.0	18.0	17.5	16.0	15	1650.0	1658.0	1790	1856	33	160	40
1650	25.5	24.0	22.5	21.0	19.5	18.5	18.0	16.5	15	1701.0	1709.0	1844	1910	33	165	42
1800	28.0	26.0	24.0	22.5	21.0	20.0	19.5	18.0	15	1848.0	1856.0	1996	2062	33	170	44
2000	30.5	28.5	26.5	25.0	23.5	22.0	21.0	19.5	15	2061.0	2069.0	2216	2282	33	180	46
2100	32.0	30.0	28.0	26.0	24.5	23.0	22.0	20.5	15	2164.0	2172.0	2322	2388	33	185	48
2200	33.5	31.0	29.0	27.0	25.5	24.0	23.0	21.5	15	2280.0	2288.0	2441	2507	33	190	49
2400	36.5	34.0	31.5	29.5	27.5	26.0	25.0	23.0	15	2458.0	2466.0	2626	2692	33	200	52
2600	39.5	36.5	34.0	31.5	29.5	28.0	27.0	27.0	15	2684.0	2692.0	2862	2928	33	230	55

備考：1. 承口凸出部之質量為修整至有效數字者，故其總合與 1 支之總質量未必一致。
 2. 承口內面之形狀，可依虛線之形狀。
 3. 表列以外之有效長度由買賣雙方協議之。



■ 接合部詳細

單位：mm

螺栓數量	有效長度 L	承口 凸出部	質 量 (Kg)									標稱管徑 D	
			1 支 總 質 量										
			D1	D1.5	D2	D2.5	D3	D3.5	D4	D4.5	內襯		
4	6000	6.68	118.4	-	-	-	97.2	-	-	-	-	17.9	100
6	6000	9.64	173.0	-	-	-	141.0	-	-	-	-	27.1	150
6	6000	12.50	227.0	-	-	-	186.0	-	-	-	-	36.4	200
8	6000	15.60	283.0	-	-	-	230.0	-	-	-	-	45.7	250
8	6000	24.00	343.0	-	-	-	301.0	-	-	-	-	81.9	300
10	6000	28.90	399.0	-	-	-	351.0	-	-	-	-	95.8	350
12	6000	34.50	512.0	-	457	-	429.0	-	-	-	-	109.0	400
12	6000	39.50	607.0	-	545	-	514.0	-	-	-	-	123.0	450
14	6000	45.70	710.0	-	641	-	606.0	-	-	-	-	137.0	500
14	6000	57.50	976.0	-	894	-	812.0	-	770	-	-	164.0	600
16	6000	75.00	1240.0	-	1150	-	1050.0	-	953	-	-	254.0	700
20	6000	90.70	1590.0	-	1420	-	1310.0	-	1200	-	-	290.0	800
20	6000	112.00	1980.0	-	1730	-	1610.0	-	1490	-	-	326.0	900
20	6000	140.00	2420.0	-	2150	-	1940.0	-	1800	-	-	452.0	1000
24	6000	163.00	2890.0	-	2520	-	2300.0	-	2140	-	-	497.0	1100
28	6000	187.00	3410.0	-	3000	-	2680.0	-	2430	-	-	542.0	1200
28	6000	232.00	4230.0	-	3680	-	3310.0	-	3030	-	-	730.0	1350
28	6000	280.00	5130.0	-	4520	-	4010.0	-	3700	-	-	812.0	1500
30	5000	326.00	4890.0	4620	4350	4080	3810.0	3630	3530	3260	-	896.0	1600
30	5000	360.00	5160.0	4880	4600	4320	4040.0	3860	3760	3480	-	925.0	1650
34	5000	427.00	6150.0	5750	5340	5040	4740.0	4530	4430	4130	-	1000.0	1800
36	5000	534.00	7490.0	7040	6590	6250	5910.0	5570	5350	5010	-	1120.0	2000
38	5000	597.00	8260.0	7790	7310	6840	6480.0	6130	5890	5530	-	1180.0	2100
40	4000	659.00	7420.0	6920	6520	6120	5820.0	5520	5320	5020	-	994.0	2200
44	4000	803.00	8740.0	8210	7670	7240	6810.0	6480	6270	5840	-	1070.0	2400
48	4000	1001.00	10390.0	9680	9100	8510	8040.0	7680	7450	6970	-	1170.0	2600

SHIN NAN CASTING FACTORY CO., LTD.

SHIN NAN CASTING FACTORY CO., LTD.

SHIN NAN CASTING FACTORY CO., LTD.

SHIN NAN CASTING FACTORY CO., LTD.

SHIN NAN CASTING FACTORY CO., LTD.

SHIN NAN CASTING FACTORY CO., LTD.

SHIN NAN CASTING FACTORY CO., LTD.

SHIN NAN CASTING FACTORY CO., LTD.

SHIN NAN CASTING FACTORY CO., LTD.

SHIN NAN CASTING FACTORY CO., LTD.

SHIN NAN CASTING FACTORY CO., LTD.

SHIN NAN CASTING FACTORY CO., LTD.

SHIN NAN CASTING FACTORY CO., LTD.

SHIN NAN CASTING FACTORY CO., LTD.

SHIN NAN CASTING FACTORY CO., LTD.

SHIN NAN CASTING FACTORY CO., LTD.

SHIN NAN CASTING FACTORY CO., LTD.

SHIN NAN CASTING FACTORY CO., LTD.

SHIN NAN CASTING FACTORY CO., LTD.

SHIN NAN CASTING FACTORY CO., LTD.

SHIN NAN CASTING FACTORY CO., LTD.

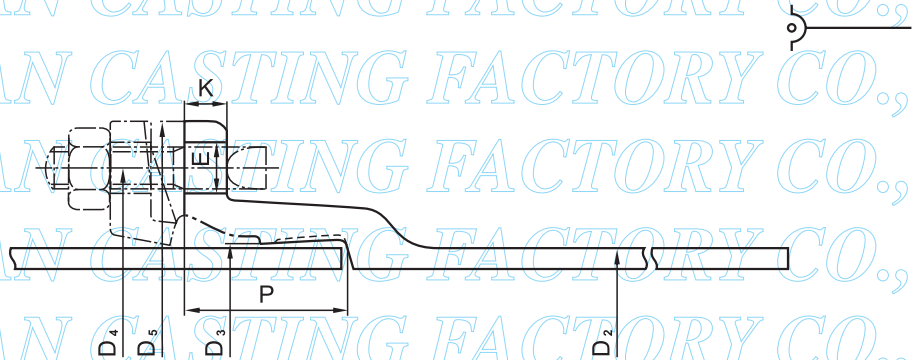
SHIN NAN CASTING FACTORY CO., LTD.

SHIN NAN CASTING FACTORY CO., LTD.

SHIN NAN CASTING FACTORY CO., LTD.

SHIN NAN CASTING FACTORY CO., LTD.

► K型延性鑄鐵管件

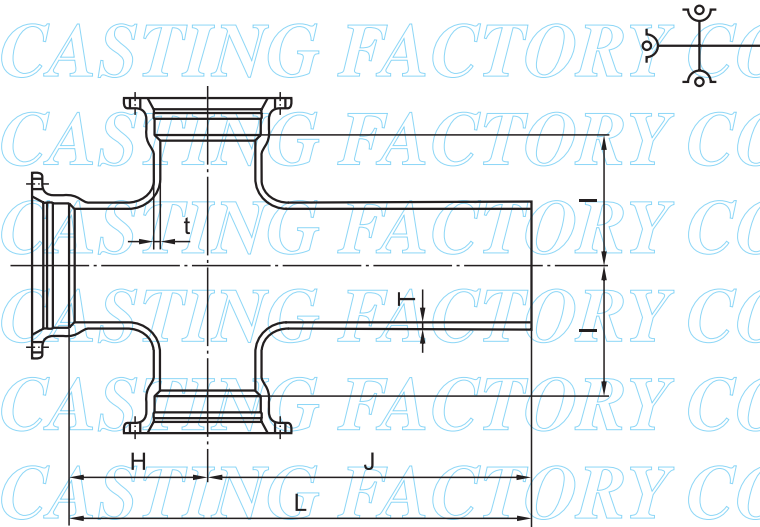


單位：mm

標稱管徑 D	外徑 D ₂	各 部 尺 寸						螺 絲 數 量	質 量 (Kg) 承口凸出部
		D ₃	D ₄	D ₅	E	P	K		
75	93.0	96.5	159	197	19	80	18	4	5.06
100	118.0	121.5	186	232	23	80	19	4	6.56
150	169.0	172.5	241	287	23	80	20	6	9.45
200	220.0	223.5	292	338	23	80	21	6	12.10
250	271.6	275.1	348	394	23	80	22	8	15.10
300	322.8	326.8	399	445	23	110	23	8	23.60
350	374.0	378.0	458	504	23	110	24	10	28.20
400	425.6	429.6	512	558	23	110	25	12	33.80
450	476.8	480.8	567	613	23	110	26	12	40.20
500	528.0	532.0	618	664	23	110	27	14	46.20
600	630.8	634.8	725	771	23	110	28	14	57.90
700	733.0	738.0	839	893	27	120	29	16	76.00
800	836.0	841.0	942	996	27	120	30	20	92.00
900	939.0	944.0	1052	1118	33	120	31	20	113.00
1000	1041.0	1047.0	1160	1226	33	130	32	20	141.00
1100	1144.0	1150.0	1266	1332	33	130	34	24	166.00
1200	1246.0	1253.0	1372	1438	33	130	36	28	190.00
1350	1400.0	1407.0	1536	1602	33	130	38	28	234.00
1500	1554.0	1561.0	1700	1766	33	130	40	28	283.00
1600	1650.0	1658.0	1790	1856	33	160	40	30	329.00
1650	1701.0	1709.0	1844	1910	33	165	42	30	363.00
1800	1848.0	1856.0	1996	2062	33	170	44	34	429.00
2000	2061.0	2069.0	2216	2282	33	180	46	36	545.00
2100	2164.0	2172.0	2322	2388	33	185	48	38	605.00
2200	2280.0	2288.0	2441	2507	33	190	49	40	670.00
2400	2458.0	2466.0	2626	2692	33	200	52	44	812.00
2600	2684.0	2692.0	2862	2928	33	230	55	48	1041.00

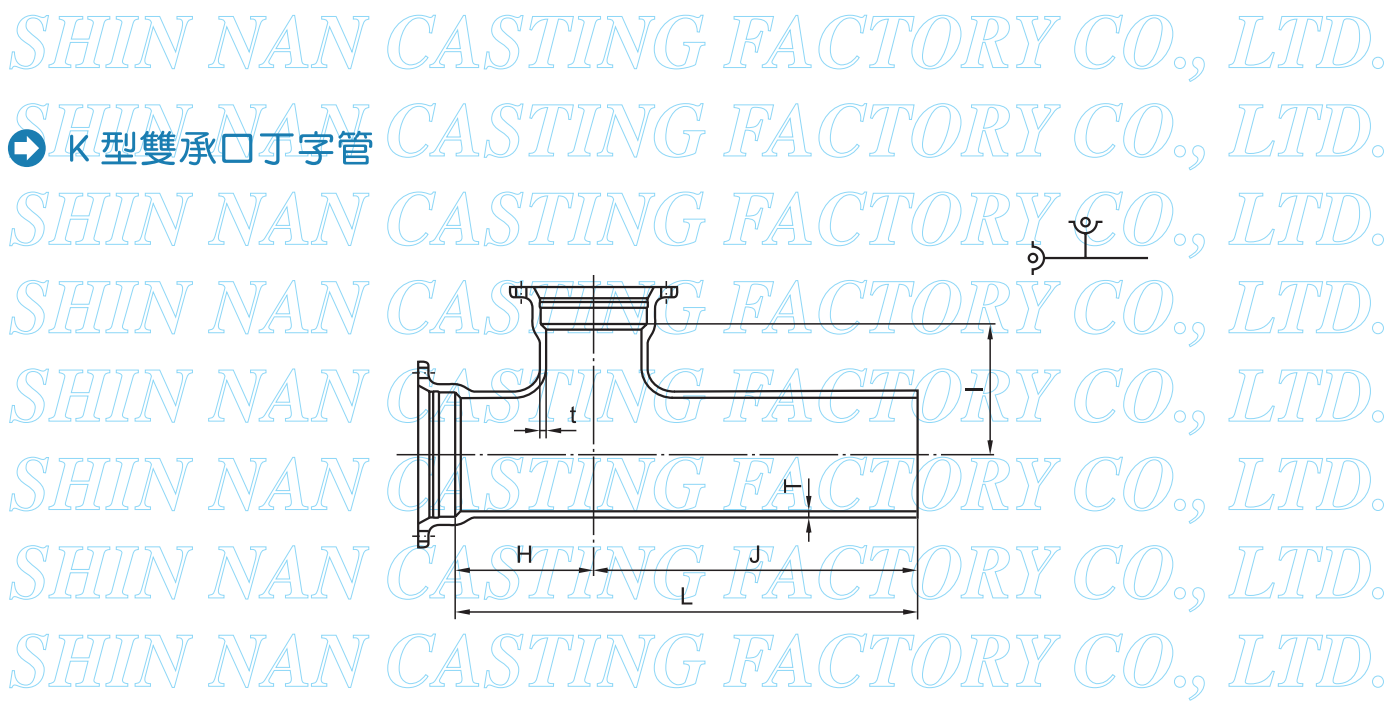
備考：承口內面之形狀，可依虛線之形狀。

▶ K型三承口十字管



單位：mm

標稱管徑		管 厚		各 部 尺 度				質 量 (Kg)
D	d	T	t	H	I	J	L	
75	75	8.5	8.5	160	140	480	640	28.3
100	100	8.5	8.5	180	160	530	710	38.3
150	100	9.0	8.5	190	190	600	790	51.9
	150	9.0	9.0	190	190	600	790	59.7
200	150	11.0	11.0	250	250	630	880	85.9
	200	11.0	11.0	250	250	630	880	94.0
250	150	12.0	11.0	230	250	600	830	98.9
	250	12.0	12.0	280	260	670	950	125.0
300	200	12.5	11.0	330	300	700	1030	148.0
	300	12.5	12.5	330	300	700	1030	179.0
350	250	13.0	12.0	360	340	750	1110	191.0
	350	13.0	13.0	360	340	750	1110	225.0
400	300	14.0	12.5	410	390	780	1190	257.0
	400	14.0	14.0	410	390	780	1190	289.0
450	300	14.5	12.5	440	420	820	1260	298.0
	450	14.5	14.5	440	420	820	1260	349.0
500	400	15.0	14.0	480	460	850	1330	378.0
600	400	16.0	14.0	550	530	920	1470	486.0
700	500	17.0	15.0	620	600	980	1600	654.0
800	600	18.0	16.0	690	670	1030	1720	839.0
900	700	19.0	17.0	770	750	1090	1860	1080.0



單位：mm

標稱管徑		管 厚		各 部 尺 度				質 量
D	d	T	t	H	I	J	L	(Kg)
75	75	8.5	8.5	160	140	480	640	21.9
100	75	8.5	8.5	180	160	530	710	28.0
	100	8.5	8.5	180	160	530	710	29.9
150	75	9.0	8.5	190	190	600	790	41.6
	100	9.0	8.5	190	190	600	790	43.4
	150	9.0	9.0	190	190	600	790	47.3
200	100	11.0	10.0	200	230	560	760	60.4
	150	11.0	11.0	250	250	630	880	71.7
	200	11.0	11.0	250	250	630	880	75.8
250	100	12.0	10.0	230	250	600	830	82.0
	150	12.0	11.0	230	250	600	830	86.1
	250	12.0	12.0	280	260	670	950	103.0
300	100	12.5	10.0	240	280	600	840	106.0
	150	12.5	11.0	240	280	600	840	110.0
	200	12.5	11.0	330	300	700	1030	131.0
	300	12.5	12.5	330	300	700	1030	146.0
350	250	13.0	12.0	360	340	750	1110	168.0
	350	13.0	13.0	360	340	750	1110	185.0
400	300	14.0	12.5	410	390	780	1190	222.0
	400	14.0	14.0	410	390	780	1190	238.0
450	300	14.5	12.5	440	420	820	1260	264.0
	450	14.5	14.5	440	420	820	1260	289.0
500	300	15.0	12.5	480	460	850	1330	311.0
	350	15.0	13.0	480	460	850	1330	318.0
	500	15.0	15.0	480	460	850	1330	346.0
600	400	16.0	14.0	550	530	920	1470	434.0
	500	16.0	15.0	550	530	920	1470	452.0
	600	16.0	16.0	550	530	920	1470	472.0
700	400	17.0	14.0	620	600	980	1600	566.0
	500	17.0	15.0	620	600	980	1600	583.0
	600	17.0	16.0	620	600	980	1600	602.0
	700	17.0	17.0	620	600	980	1600	629.0
800	500	18.0	15.0	690	670	1030	1720	732.0
	600	18.0	16.0	690	670	1030	1720	750.0
	700	18.0	17.0	690	670	1030	1720	776.0
	800	18.0	18.0	690	670	1030	1720	803.0
900	600	19.0	16.0	600	690	940	1540	796.0
	700	19.0	17.0	770	750	1090	1860	961.0
	800	19.0	18.0	770	750	1090	1860	987.0
	900	19.0	19.0	770	750	1090	1860	1020.0
1000	600	20.0	16.0	680	770	990	1670	988.0
	800	20.0	18.0	840	820	1140	1980	1190.0
	1000	20.0	20.0	840	820	1140	1980	1270.0
1100	600	21.0	16.0	650	800	1000	1650	1110.0
	800	21.0	18.0	740	830	1050	1790	1240.0
	1100	21.0	21.0	910	890	1200	2110	1540.0
1200	600	22.0	17.0	680	860	1000	1680	1280.0
	900	22.0	19.0	810	910	1100	1910	1500.0
	1200	22.0	22.0	970	950	1250	2220	1830.0

單位：mm

標稱管徑		管 厚		各 部 尺 度				質 量 (Kg)
D	d	T	t	H	I	J	L	
1350	600	24.0	19.0	700	950	1000	1700	1580
	900	24.0	19.0	860	1000	1150	2010	1870
1500	*1350	24.0	24.0	1080	1050	1350	2430	2530
	600	26.0	21.0	730	1050	1000	1730	1920
	1000	26.0	21.0	920	1100	1200	2120	2360
1600	*1500	26.0	26.0	1180	1150	1400	2580	3170
	900	27.5	21.0	840	1110	1150	1990	2460
	1000	27.5	21.0	940	1140	1250	2190	2700
1650	1100	27.5	22.0	940	1140	1250	2190	2730
	1200	27.5	23.0	1070	1180	1350	2420	3010
	*1350	27.5	24.0	1070	1180	1350	2420	3170
1800	*1500	27.5	26.0	1150	1200	1450	2600	3460
	*1600	27.5	27.5	1200	1200	1500	2700	3710
	1000	28.0	21.0	940	1160	1250	2190	2830
1850	1100	28.0	22.0	940	1160	1250	2190	2860
	1200	28.0	23.0	1070	1200	1350	2420	3160
	1350	28.0	24.0	1070	1200	1350	2420	3210
2000	*1500	28.0	26.0	1150	1200	1450	2600	3590
	*1600	28.0	27.5	1210	1230	1500	2710	3830
	*1650	28.0	28.0	1230	1230	1530	2760	3980
2100	1000	30.0	22.0	960	1240	1250	2210	3300
	1100	30.0	23.0	960	1240	1250	2210	3330
	1200	30.0	24.0	1080	1270	1400	2480	3700
2200	1350	30.0	25.0	1080	1270	1400	2480	3750
	*1500	30.0	26.0	1170	1300	1450	2620	4140
	*1600	30.0	27.5	1220	1300	1510	2730	4350
2300	*1650	30.0	28.0	1240	1300	1540	2780	4470
	*1800	30.0	30.0	1310	1310	1610	2920	4850
	1100	32.0	23.0	960	1350	1250	2210	3940
2400	1200	32.0	24.0	1090	1390	1400	2490	4400
	1350	32.0	25.0	1090	1390	1400	2490	4440
	1500	32.0	26.0	1170	1410	1500	2670	4770
2500	*1600	32.0	27.5	1220	1410	1520	2740	5110
	*1650	32.0	28.0	1250	1410	1550	2800	5240
	*1800	32.0	30.0	1330	1420	1630	2960	5610
2600	*2000	32.0	32.0	1430	1430	1730	3160	6180
	1100	33.0	23.0	970	1400	1260	2230	4290
	1200	33.0	24.0	1100	1420	1400	2500	4750
2700	1350	33.0	25.0	1100	1440	1400	2500	4800
	1500	33.0	26.0	1170	1450	1500	2670	5120
	1600	33.0	27.5	1230	1470	1540	2770	5360
2800	*1650	33.0	28.0	1260	1470	1560	2820	5660
	*1800	33.0	30.0	1330	1470	1640	2970	6010
	*2000	33.0	32.0	1440	1490	1750	3190	6570
2900	*2100	33.0	33.0	1490	1490	1800	3290	6920
	1200	34.0	24.0	1100	1480	1410	2510	5160
	1350	34.0	25.0	1100	1500	1410	2510	5210
3000	1500	34.0	26.0	1190	1510	1500	2690	5570
	1600	34.0	27.5	1240	1530	1540	2780	5800
	1650	34.0	28.0	1260	1530	1570	2830	5920
3100	*1800	34.0	30.0	1340	1530	1640	2980	6500
	*2000	34.0	32.0	1450	1550	1750	3200	7070
	*2100	34.0	33.0	1500	1550	1800	3300	7350
3200	*2200	34.0	34.0	1550	1550	1850	3400	7740
	1350	36.0	25.0	1140	1560	1390	2530	5950
	1500	36.0	26.0	1220	1570	1470	2690	6300
3300	1600	36.0	27.5	1260	1580	1510	2770	6520
	1650	36.0	28.0	1290	1590	1540	2830	6680
	1800	36.0	30.0	1370	1610	1620	2990	7100
3400	*2000	36.0	32.0	1470	1630	1720	3190	7920
	*2100	36.0	33.0	1530	1650	1780	3310	8280
	*2200	36.0	34.0	1590	1660	1840	3430	8640
3500	*2400	36.0	36.0	1680	1680	1930	3610	9390
	2600	37.5	26.0	1250	1690	1390	2640	7130
	1600	37.5	27.5	1300	1700	1440	2740	7410
3600	1650	37.5	28.0	1320	1710	1470	2790	7560
	1800	37.5	30.0	1400	1720	1540	2940	7980
	2000	37.5	32.0	1500	1740	1650	3150	8600
3700	2100	37.5	33.0	1560	1750	1700	3260	8930
	*2200	37.5	34.0	1610	1760	1860	3470	9840
	*2400	37.5	36.0	1710	1790	1970	3680	10600
3800	*2600	37.5	37.5	1810	1810	2070	3880	11580

備考：標稱管徑欄有*符號之管，須附補強肋。

SHIN NAN CASTING FACTORY CO., LTD.

SHIN NAN CASTING FACTORY CO., LTD.

SHIN NAN CASTING FACTORY CO., LTD.

SHIN NAN CASTING FACTORY CO., LTD.

SHIN NAN CASTING FACTORY CO., LTD.

SHIN NAN CASTING FACTORY CO., LTD.

SHIN NAN CASTING FACTORY CO., LTD.

SHIN NAN CASTING FACTORY CO., LTD.

SHIN NAN CASTING FACTORY CO., LTD.

SHIN NAN CASTING FACTORY CO., LTD.

SHIN NAN CASTING FACTORY CO., LTD.

SHIN NAN CASTING FACTORY CO., LTD.

SHIN NAN CASTING FACTORY CO., LTD.

SHIN NAN CASTING FACTORY CO., LTD.

SHIN NAN CASTING FACTORY CO., LTD.

SHIN NAN CASTING FACTORY CO., LTD.

SHIN NAN CASTING FACTORY CO., LTD.

SHIN NAN CASTING FACTORY CO., LTD.

SHIN NAN CASTING FACTORY CO., LTD.

SHIN NAN CASTING FACTORY CO., LTD.

SHIN NAN CASTING FACTORY CO., LTD.

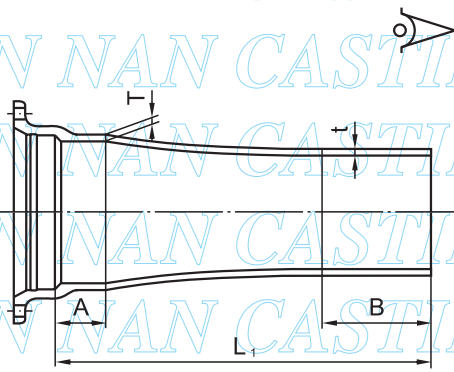
SHIN NAN CASTING FACTORY CO., LTD.

SHIN NAN CASTING FACTORY CO., LTD.

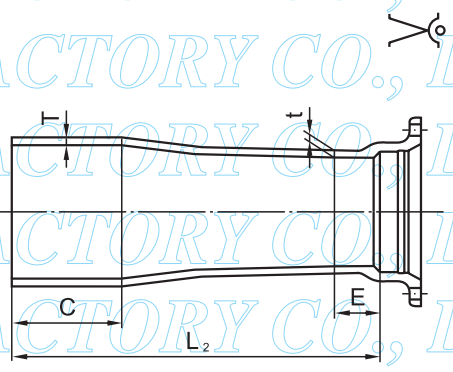
SHIN NAN CASTING FACTORY CO., LTD.

SHIN NAN CASTING FACTORY CO., LTD.

▶ K型縮管



■ 承插式縮管



■ 插承式縮管

單位：mm

標稱管徑		管 厚		各 部 尺 度						質 量 (Kg)	
D	d	T	t	A	B	C	E	L ₁	L ₂	承插	插承
100	75	8.5	8.5	50	200	200	50	550	550	16.2	15.4
150	100	9.0	8.5	55	200	200	50	555	550	22.9	21.6
200	100	11.0	10.0	60	200	200	50	560	550	30.5	28.5
	150	11.0	11.0	60	200	200	55	560	555	36.1	35.0
250	100	12.0	10.0	70	200	200	50	670	650	41.4	38.3
	150	12.0	11.0	70	200	200	55	670	655	48.1	45.8
	200	12.0	11.0	70	200	200	60	670	660	53.8	52.7
300	100	12.5	10.0	80	200	200	50	680	650	55.0	44.7
	150	12.5	11.0	80	200	200	55	680	655	61.5	52.2
	200	12.5	11.0	80	200	200	60	680	660	67.1	58.8
	250	12.5	12.0	80	200	200	70	680	670	75.2	68.0
350	150	13.0	11.0	80	200	200	55	680	655	71.0	59.2
	200	13.0	11.0	80	200	200	60	680	660	76.4	65.7
	250	13.0	12.0	80	200	200	70	680	670	84.3	74.7
	300	13.0	12.5	80	200	200	80	680	680	91.7	89.3
400	150	14.0	11.0	90	200	220	55	790	775	90.8	77.7
	200	14.0	11.0	90	200	220	60	790	780	97.1	85.1
	250	14.0	12.0	90	200	220	70	790	790	106.0	95.3
	300	14.0	12.5	90	200	220	80	790	800	115.0	111.0
	350	14.0	13.0	90	220	220	80	810	800	126.0	123.0
450	200	14.5	11.0	100	200	230	60	800	790	112.0	96.2
	250	14.5	12.0	100	200	230	70	800	800	121.0	106.0
	300	14.5	12.5	100	200	230	80	800	810	129.0	122.0
	350	14.5	13.0	100	220	230	80	820	810	140.0	133.0
	400	14.5	14.0	100	220	230	90	820	820	153.0	149.0
500	250	15.0	12.0	110	200	230	70	810	800	136.0	117.0
	300	15.0	12.5	110	200	230	80	810	810	144.0	132.0
	350	15.0	13.0	110	220	230	80	830	810	155.0	143.0
	400	15.0	14.0	110	220	230	90	830	820	167.0	159.0
	450	15.0	14.5	110	230	230	100	840	830	179.0	175.0
600	300	16.0	12.5	120	200	230	80	820	810	177.0	157.0
	350	16.0	13.0	120	220	230	80	840	810	187.0	167.0
	400	16.0	14.0	120	220	230	90	840	820	198.0	182.0
	450	16.0	14.5	120	230	230	100	850	830	210.0	197.0
	500	16.0	15.0	120	230	230	110	850	840	221.0	213.0
700	400	17.0	14.0	130	220	240	90	1050	1030	274.0	245.0
	450	17.0	14.5	130	230	240	100	1060	1040	288.0	263.0
	500	17.0	15.0	130	230	240	110	1060	1050	301.0	281.0
	600	17.0	16.0	130	230	240	120	1060	1060	332.0	319.0
800	450	18.0	14.5	140	230	240	100	1070	1040	336.0	297.0
	500	18.0	15.0	140	230	240	110	1070	1050	349.0	315.0
	600	18.0	16.0	140	230	240	120	1070	1060	377.0	352.0
	700	18.0	17.0	140	240	240	130	1080	1070	412.0	399.0
900	500	19.0	15.0	150	230	260	110	1080	1070	407.0	363.0
	600	19.0	16.0	150	230	260	120	1080	1080	433.0	397.0
	700	19.0	17.0	150	240	260	130	1090	1090	466.0	442.0
	800	19.0	18.0	150	240	260	140	1090	1100	501.0	490.0

單位：mm

標稱管徑		管 厚		各 部 尺 度						質 量 (Kg)	
D	d	T	t	A	B	C	E	L ₁	L ₂	承插	插承
1000	600	20.0	16.0	170	230	260	120	1100	1080	508	443
	700	20.0	17.0	170	240	260	130	1110	1090	538	485
	800	20.0	18.0	170	240	260	140	1110	1100	570	530
1100	900	20.0	19.0	170	260	260	150	1130	1110	615	586
	700	21.0	17.0	180	240	280	130	1220	1210	646	578
	800	21.0	18.0	180	240	280	140	1220	1220	680	626
1200	900	21.0	19.0	180	260	280	150	1240	1230	726	683
	1000	21.0	20.0	180	260	280	170	1240	1250	771	758
	800	22.0	18.0	190	240	280	140	1230	1220	760	683
1350	900	22.0	19.0	190	260	280	150	1250	1230	803	737
	1000	22.0	20.0	190	260	280	170	1250	1250	844	808
	1100	22.0	21.0	190	280	280	180	1270	1260	903	880
1500	900	24.0	19.0	210	260	300	150	1270	1250	958	860
	1000	24.0	20.0	210	260	300	170	1270	1270	993	925
	1100	24.0	21.0	210	280	300	180	1290	1280	1040	991
1600	1200	24.0	22.0	210	280	300	190	1290	1290	1090	1060
	1000	26.0	21.0	230	260	300	170	1290	1270	1190	1070
	1100	26.0	21.0	230	280	300	180	1310	1280	1220	1110
1650	1200	26.0	22.0	230	280	300	190	1310	1290	1260	1180
	1350	26.0	24.0	230	300	300	210	1330	1310	1360	1310
	1000	27.5	21.0	230	260	300	170	1390	1370	1390	1230
1800	1100	27.5	22.0	230	280	300	180	1410	1380	1440	1290
	1200	27.5	23.0	230	280	300	190	1410	1390	1480	1350
	1350	27.5	24.0	230	300	300	210	1430	1410	1560	1470
1850	1500	27.5	26.0	230	300	300	210	1430	1410	1670	1620
	1000	28.0	21.0	230	260	300	170	1390	1370	1470	1280
	1100	28.0	22.0	230	280	300	180	1410	1380	1510	1340
2000	1200	28.0	23.0	230	280	300	190	1410	1390	1560	1400
	1350	28.0	24.0	230	300	300	210	1430	1410	1640	1510
	1500	28.0	26.0	230	300	300	210	1430	1410	1740	1650
2100	1600	28.0	27.5	230	300	300	210	1430	1410	1830	1780
	1100	30.0	22.0	230	280	300	180	1410	1380	1750	1510
	1200	30.0	23.0	230	280	300	190	1410	1390	1780	1570
2200	1350	30.0	24.0	230	300	300	210	1430	1410	1850	1670
	1500	30.0	26.0	230	300	300	210	1430	1410	1940	1790
	1600	30.0	27.5	230	300	300	210	1430	1410	2010	1910
2400	1650	30.0	28.0	230	300	300	210	1430	1410	2050	1970
	1200	32.0	24.0	230	280	300	190	1410	1390	2170	1850
	1350	32.0	25.0	230	300	300	210	1430	1410	2210	1940
2500	1500	32.0	26.0	230	300	300	210	1430	1410	2260	2020
	1600	32.0	27.5	230	300	300	210	1430	1410	2320	2110
	1650	32.0	28.0	230	300	300	210	1430	1410	2340	2170
2600	1800	32.0	30.0	230	320	300	210	1450	1410	2480	2330
	1350	33.0	25.0	250	300	320	210	1450	1430	2440	2110
	1500	33.0	26.0	250	300	320	210	1450	1430	2480	2190
2700	1600	33.0	27.5	250	300	320	210	1450	1430	2530	2270
	1650	33.0	28.0	250	300	320	210	1450	1430	2550	2320
	1800	33.0	30.0	250	320	320	210	1470	1430	2670	2470
2800	2000	33.0	32.0	250	320	320	210	1470	1430	2830	2720
	1500	34.0	26.0	250	300	320	210	1450	1430	2700	2350
	1600	34.0	27.5	250	300	320	210	1450	1430	2740	2430
2900	1650	34.0	28.0	250	300	320	210	1450	1430	2760	2480
	1800	34.0	30.0	250	320	320	210	1470	1430	2860	2600
	2000	34.0	32.0	250	320	320	210	1470	1430	3000	2830
3000	2100	34.0	33.0	250	320	320	210	1470	1430	3080	2960
	1600	36.0	27.5	270	300	320	210	1570	1530	3320	2840
	1650	36.0	28.0	270	300	320	210	1570	1530	3330	2890
3100	1800	36.0	30.0	270	320	320	210	1590	1530	3430	3010
	2000	36.0	32.0	270	320	320	210	1590	1530	3550	3220
	2100	36.0	33.0	270	320	320	210	1590	1530	3630	3340
3200	2200	36.0	34.0	270	320	320	210	1590	1530	3720	3490
	1600	37.5	27.5	240	335	385	190	1935	1935	4060	3520
	1650	37.5	28.0	240	340	385	195	1890	1890	4040	3530
3300	1800	37.5	30.0	240	345	385	200	1745	1745	3980	3510
	2000	37.5	32.0	240	355	385	210	1555	1555	3850	3470
	2100	37.5	33.0	240	360	385	215	1460	1460	3780	3430
3400	2200	37.5	34.0	240	365	385	220	1365	1365	3700	3400
	2400	37.5	36.0	240	375	385	230	1175	1175	3480	3290

SHIN NAN CASTING FACTORY CO., LTD.

SHIN NAN CASTING FACTORY CO., LTD.

SHIN NAN CASTING FACTORY CO., LTD.

SHIN NAN CASTING FACTORY CO., LTD.

SHIN NAN CASTING FACTORY CO., LTD.

SHIN NAN CASTING FACTORY CO., LTD.

SHIN NAN CASTING FACTORY CO., LTD.

SHIN NAN CASTING FACTORY CO., LTD.

SHIN NAN CASTING FACTORY CO., LTD.

SHIN NAN CASTING FACTORY CO., LTD.

SHIN NAN CASTING FACTORY CO., LTD.

SHIN NAN CASTING FACTORY CO., LTD.

SHIN NAN CASTING FACTORY CO., LTD.

SHIN NAN CASTING FACTORY CO., LTD.

SHIN NAN CASTING FACTORY CO., LTD.

SHIN NAN CASTING FACTORY CO., LTD.

SHIN NAN CASTING FACTORY CO., LTD.

SHIN NAN CASTING FACTORY CO., LTD.

SHIN NAN CASTING FACTORY CO., LTD.

SHIN NAN CASTING FACTORY CO., LTD.

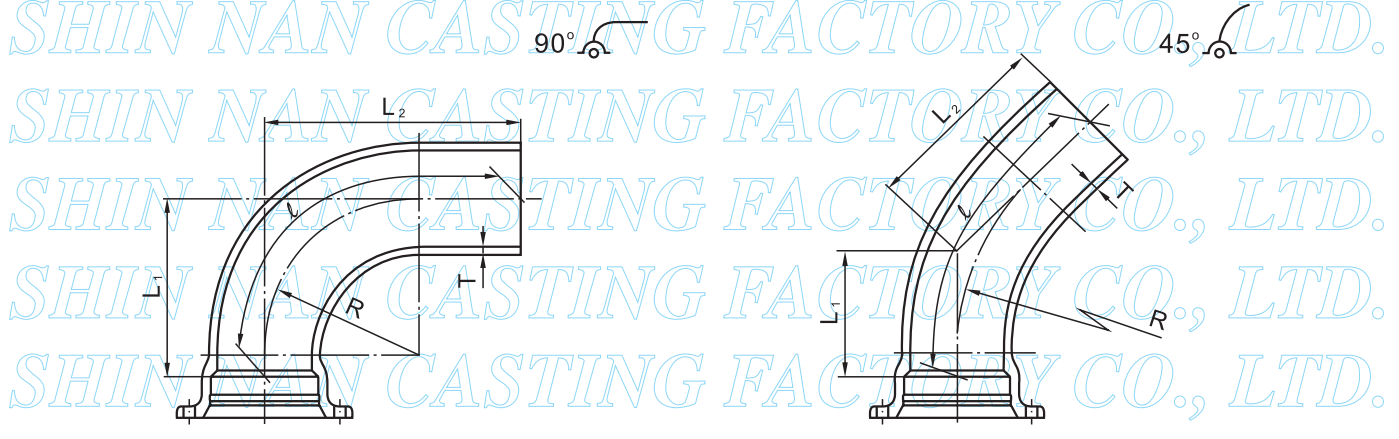
SHIN NAN CASTING FACTORY CO., LTD.

SHIN NAN CASTING FACTORY CO., LTD.

SHIN NAN CASTING FACTORY CO., LTD.

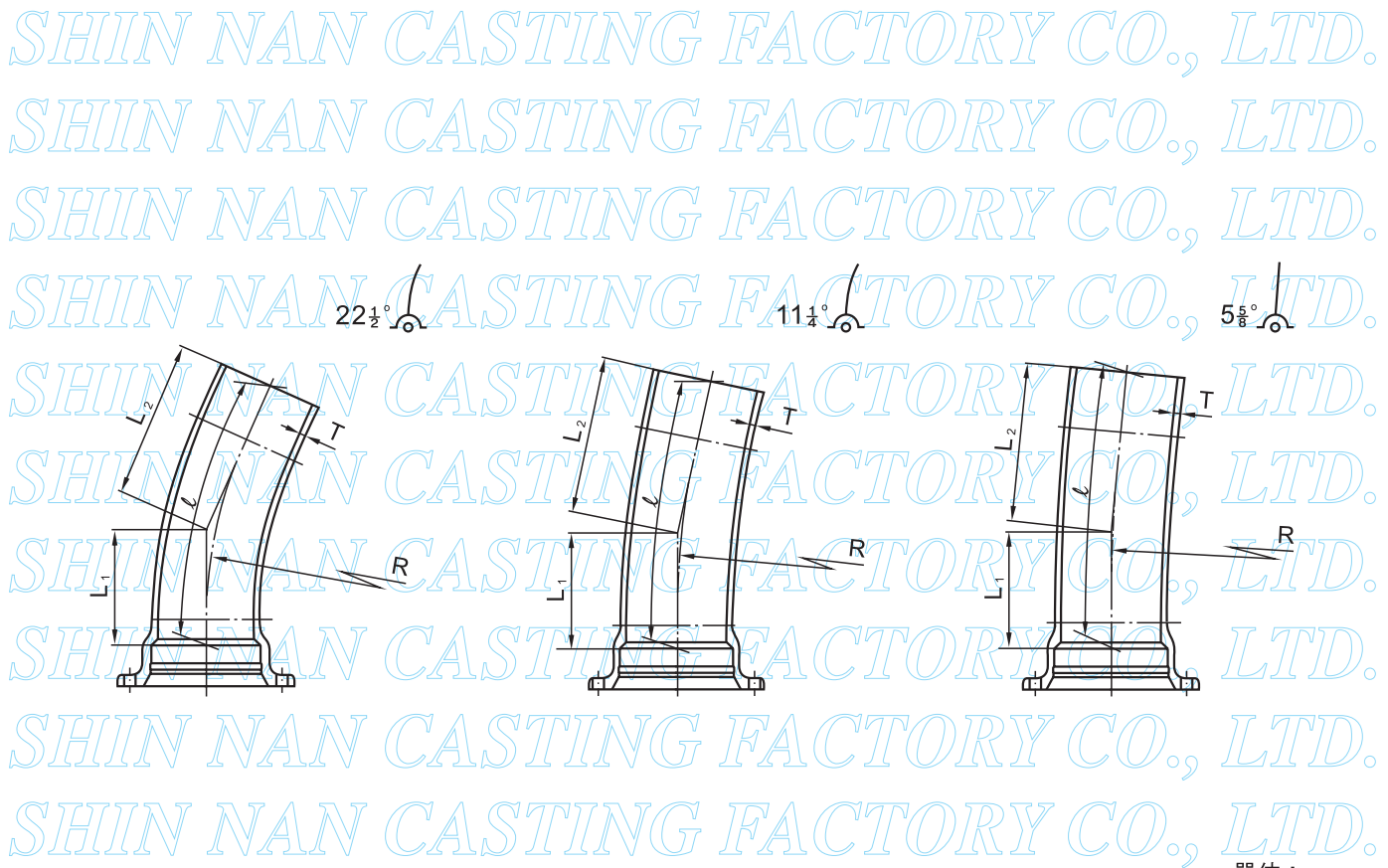
SHIN NAN CASTING FACTORY CO., LTD.

SHIN NAN CASTING FACTORY CO., LTD.



單位：mm

標稱管徑	管厚	90°					45°				
		各部尺度			管心長	質量 (Kg)	各部尺度			管心長	質量 (Kg)
D	T	R	L ₁	L ₂	l		R	L ₁	L ₂	l	
75	8.5	250	292	400	584	14.5	400	207	316	506	13.2
100	8.5	250	292	400	584	18.8	400	207	316	506	17.1
150	9.0	300	342	500	713	32.5	500	249	407	634	30.0
200	11.0	400	443	600	872	57.1	600	292	449	715	49.0
250	12.0	400	445	650	923	79.7	600	294	449	716	65.2
300	12.5	550	597	800	1161	125.0	700	337	490	797	93.0
350	13.0	550	598	800	1162	151.0	800	380	531	877	121.0
400	14.0	600	650	850	1243	195.0	900	423	573	957	158.0
450	14.5	600	652	850	1244	228.0	1000	466	614	1037	196.0
500	15.0	700	754	950	1403	289.0	1100	509	656	1118	239.0
600	16.0	800	855	1100	1612	414.0	1300	594	739	1276	340.0
700	17.0	900	957	1200	1771	560.0	1500	678	821	1435	468.0
800	18.0	1000	1061	1300	1931	731.0	1700	765	904	1596	620.0
900	19.0	1100	1164	1400	2092	934.0	1900	851	987	1756	803.0
1000	20.0	1150	1218	1450	2174	1140.0	2100	937	1070	1917	1020.0
1100	21.0	1200	1269	1500	2254	1360.0	2300	1022	1153	2076	1270.0
1200	22.0	1200	1271	1500	2256	1550.0	2300	1024	1153	2077	1450.0
1350	24.0	1200	1274	1500	2259	1910.0	2300	1027	1153	2081	1780.0
1500	26.0	1200	1278	1500	2263	2300.0	2300	1031	1153	2084	2140.0
1600	27.5	1200	1278	1550	2313	2650.0	1500	700	921	1557	1890.0
1650	28.0	1200	1280	1550	2315	2800.0	1500	702	921	1558	2000.0
1800	30.0	1250	1335	1600	2399	3370.0	1500	706	921	1563	2340.0
2000	32.0	-	-	-	-	-	1500	713	921	1570	2830.0
2100	33.0	-	-	-	-	-	1700	799	1004	1730	3340.0
2200	34.0	-	-	-	-	-	1700	801	1004	1732	3640.0
2400	36.0	-	-	-	-	-	1700	808	1054	1789	4320.0
2600	37.5	-	-	-	-	-	1740	900	1030	1855	5180.0



單位：mm

標稱管徑	管厚	22½°					11½°					5⅝°				
		各部尺度			管心長	質量 (Kg)	各部尺度			管心長	質量 (Kg)	各部尺度			管心長	質量 (Kg)
		R	L ₁	L ₂	l		R	L ₁	L ₂	l		R	L ₁	L ₂	l	
75	8.5	800	201	309	506	13.2	3000	337	446	781	17.7	-	-	-	-	-
100	8.5	800	201	309	506	17.1	3000	337	446	781	22.9	-	-	-	-	-
150	9.0	1000	240	349	584	28.3	3000	337	446	781	34.7	-	-	-	-	-
200	11.0	1200	282	389	665	46.4	4000	437	544	979	62.6	-	-	-	-	-
250	12.0	1200	284	389	666	61.7	4000	439	544	980	83.7	-	-	-	-	-
300	12.5	1400	325	429	747	88.6	4000	441	544	982	109.0	10000	538	641	1178	126
350	13.0	1600	367	468	827	115.0	5000	541	643	1180	153.0	10000	540	641	1180	153
400	14.0	1800	408	558	957	158.0	5000	543	693	1232	193.0	10000	542	691	1232	193
450	14.5	2000	450	598	1037	196.0	5000	544	693	1234	226.0	10000	543	691	1234	226
500	15.0	2200	491	638	1118	239.0	6000	645	791	1432	294.0	12000	643	790	1432	294
600	16.0	2600	573	717	1276	340.0	6000	646	791	1434	375.0	12000	645	790	1434	375
700	17.0	3000	654	797	1435	468.0	6000	648	791	1435	468.0	12000	647	790	1435	468
800	18.0	3400	737	876	1596	620.0	6000	652	791	1439	568.0	12000	650	790	1439	568
900	19.0	3800	820	956	1756	803.0	6000	655	791	1442	679.0	12000	654	790	1442	679
1000	20.0	4200	903	1035	1917	1020.0	6000	658	791	1446	804.0	12000	657	790	1446	804
1100	21.0	4500	964	1095	2036	1240.0	6000	660	791	1447	933.0	12000	659	790	1447	933
1200	22.0	4500	966	1095	2038	1420.0	6000	662	791	1449	1070.0	12000	661	790	1449	1070
1350	24.0	4500	970	1095	2042	1750.0	6000	665	791	1453	1310.0	12000	664	790	1453	1310
1500	26.0	4500	973	1095	2045	2110.0	6000	669	791	1456	1580.0	12000	667	790	1456	1580
1600	27.5	3000	675	897	1557	1890.0	6000	669	891	1557	1890.0	12000	668	890	1557	1890
1650	28.0	3000	677	897	1558	2000.0	6000	671	891	1558	2000.0	12000	670	890	1558	2000
1800	30.0	3000	682	897	1563	2340.0	6000	676	891	1563	2340.0	12000	675	890	1563	2340
2000	32.0	3000	688	897	1570	2830.0	6000	682	891	1570	2830.0	12000	681	890	1570	2830
2100	33.0	3400	771	976	1730	3340.0	6000	685	891	1572	3090.0	12000	684	890	1572	3090
2200	34.0	3400	774	976	1732	3640.0	6000	688	891	1575	3370.0	12000	687	890	1575	3370
2400	36.0	3400	780	1026	1789	4320.0	6000	695	941	1632	4010.0	12000	693	940	1632	4010
2600	37.5	3640	900	1030	1911	5300.0	3640	540	670	1208	3730.0	7280	540	670	1209	3740

SHIN NAN CASTING FACTORY CO., LTD.

SHIN NAN CASTING FACTORY CO., LTD.

SHIN NAN CASTING FACTORY CO., LTD.

SHIN NAN CASTING FACTORY CO., LTD.

SHIN NAN CASTING FACTORY CO., LTD.

SHIN NAN CASTING FACTORY CO., LTD.

SHIN NAN CASTING FACTORY CO., LTD.

SHIN NAN CASTING FACTORY CO., LTD.

SHIN NAN CASTING FACTORY CO., LTD.

SHIN NAN CASTING FACTORY CO., LTD.

SHIN NAN CASTING FACTORY CO., LTD.

SHIN NAN CASTING FACTORY CO., LTD.

SHIN NAN CASTING FACTORY CO., LTD.

SHIN NAN CASTING FACTORY CO., LTD.

SHIN NAN CASTING FACTORY CO., LTD.

SHIN NAN CASTING FACTORY CO., LTD.

SHIN NAN CASTING FACTORY CO., LTD.

SHIN NAN CASTING FACTORY CO., LTD.

SHIN NAN CASTING FACTORY CO., LTD.

SHIN NAN CASTING FACTORY CO., LTD.

SHIN NAN CASTING FACTORY CO., LTD.

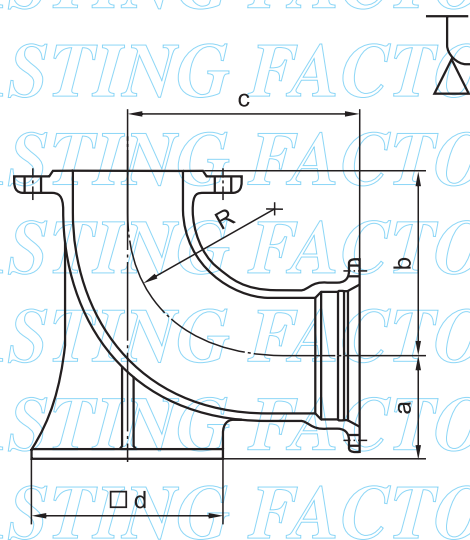
SHIN NAN CASTING FACTORY CO., LTD.

SHIN NAN CASTING FACTORY CO., LTD.

SHIN NAN CASTING FACTORY CO., LTD.

SHIN NAN CASTING FACTORY CO., LTD.

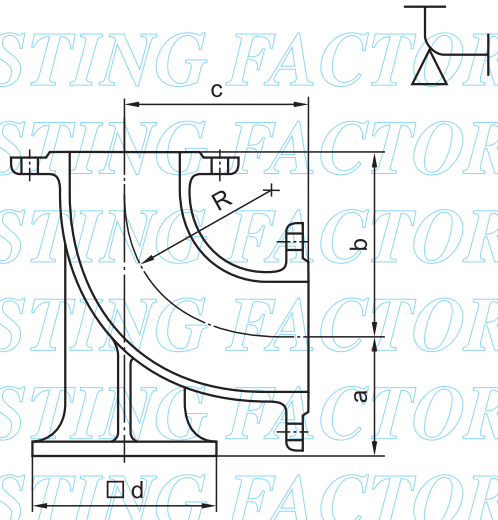
▶ K型帶座彎管



單位：mm

標稱管徑	管厚	各部尺度					質量 (Kg)
D	T	a	b	c	d	R	
100	8.5	116.0	197	271.5	200	150	25.33
150	9.0	143.5	248	321.5	250	200	40.88

雙凸緣帶座彎管

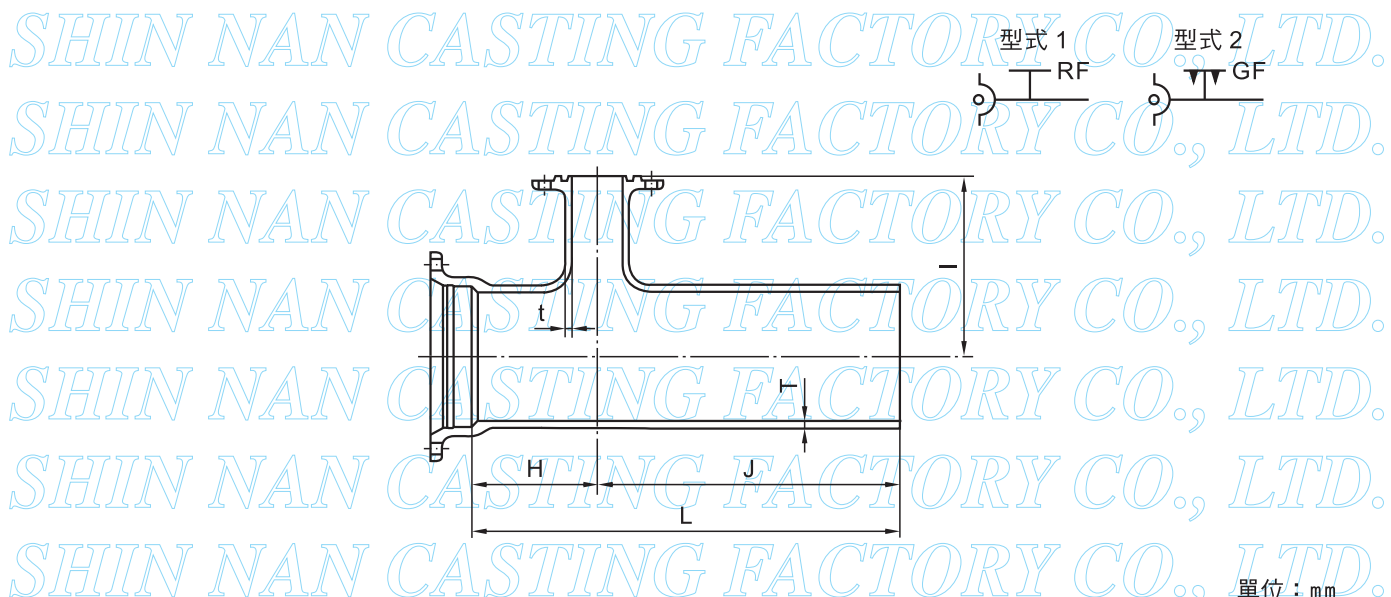


單位：mm

標稱管徑	管厚	各部尺度					質量 (Kg)
		a	b	c	d	R	
100	8.5	120	200	200	200	155	25.0
150	9.0	150	250	250	250	200	37.7

SHIN NAN CASTING FACTORY CO., LTD.

◆ K型凸緣丁字管 (排氣閘用·消防栓用·人孔用)

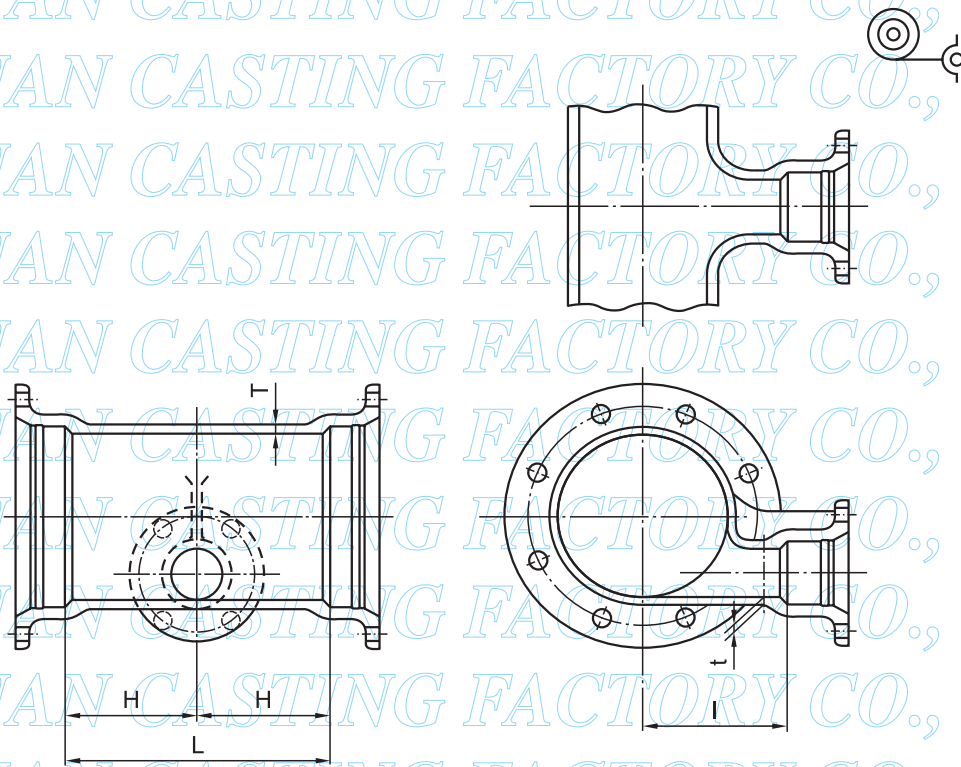


標稱管徑		管厚		各部尺度				質量 (Kg)				
D	d	T	t	H	I	J	L	型式 1		型式 2		
								7.5K	7.5K	10K	16K	20K
75	75	8.5	8.5	150	250	480	630	22.2	22.1	20.6	21.3	21.6
100	75	8.5	8.5	160	250	500	660	27.1	27.0	25.5	26.2	26.5
150	75	9.0	8.5	160	280	530	690	38.5	38.4	36.9	37.6	37.9
200	100	9.0	8.5	170	280	550	720	41.1	40.9	39.1	40.3	40.7
250	75	11.0	10.0	170	300	540	710	55.8	55.7	54.2	54.9	55.2
300	100	11.0	10.0	180	300	550	730	58.5	58.4	56.6	57.8	58.2
350	75	12.0	10.0	180	330	550	730	73.3	73.2	71.7	72.4	72.7
400	100	12.0	10.0	190	330	560	750	76.3	76.2	74.4	75.6	76.0
450	75	12.5	10.0	190	350	550	740	95.0	94.9	93.4	94.2	94.4
500	100	12.5	10.0	200	350	560	760	98.4	98.2	96.4	97.7	98.0
600	75	13.0	10.0	200	380	560	760	115.0	115.0	114.0	114.0	115.0
700	100	13.0	10.0	210	380	560	770	118.0	118.0	116.0	117.0	118.0
800	75	14.0	10.0	210	320	560	770	139.0	139.0	137.0	138.0	138.0
900	100	14.0	10.0	210	400	560	770	142.0	142.0	140.0	141.0	142.0
1000	75	14.5	10.0	220	340	560	780	163.0	163.0	161.0	162.0	162.0
1100	100	14.5	10.0	220	400	560	780	165.0	165.0	163.0	165.0	165.0
1200	75	15.0	10.0	230	360	560	790	188.0	188.0	186.0	187.0	187.0
1300	100	15.0	10.0	230	400	560	790	190.0	190.0	188.0	189.0	189.0
1400	75	16.0	11.0	240	410	570	810	242.0	242.0	241.0	241.0	242.0
1500	100	16.0	11.0	240	450	570	810	244.0	244.0	242.0	244.0	244.0
1600	75	17.0	12.0	260	480	580	840	311.0	311.0	310.0	311.0	311.0
1700	100	17.0	12.0	260	480	580	840	313.0	313.0	311.0	312.0	312.0
1800	75	18.0	13.0	270	520	590	860	382.0	382.0	381.0	381.0	382.0
1900	100	18.0	13.0	270	520	590	860	383.0	383.0	381.0	383.0	383.0
2000	600	18.0	16.0	690	670	1030	1720	731.0	730.0	730.0	766.0	777.0
2100	100	19.0	14.0	300	590	620	920	482.0	482.0	480.0	481.0	482.0
2200	600	19.0	16.0	600	690	940	1540	777.0	776.0	777.0	812.0	824.0
2300	150	20.0	15.0	320	640	640	960	592.0	592.0	591.0	593.0	594.0
2400	600	20.0	16.0	680	770	990	1670	970.0	969.0	969.0	1010.0	1020.0
2500	150	21.0	16.0	340	700	660	1000	707.0	707.0	706.0	708.0	709.0
2600	600	21.0	16.0	650	800	1000	1650	1100.0	1090.0	1090.0	1130.0	1140.0
2700	150	22.0	17.0	360	750	680	1040	831.0	830.0	830.0	832.0	833.0
2800	600	22.0	17.0	680	860	1000	1680	1260.0	1260.0	1260.0	1300.0	1310.0
2900	150	24.0	19.0	380	830	700	1080	1050.0	1050.0	1050.0	1050.0	1050.0
3000	600	24.0	19.0	700	950	1000	1700	1560.0	1560.0	1560.0	1600.0	1610.0
3100	150	26.0	21.0	420	910	720	1140	1310.0	1310.0	1310.0	1310.0	1320.0
3200	600	26.0	21.0	730	1050	1000	1730	1900.0	1900.0	1900.0	1940.0	1950.0
3300	1600	27.5	21.0	730	1070	1050	1780	2180.0	2180.0	2180.0	2210.0	2220.0
3400	1650	28.0	21.0	730	1100	1050	1780	2300.0	2300.0	2300.0	2330.0	2350.0
3500	1800	30.0	21.0	740	1170	1050	1790	2680.0	2680.0	2680.0	2720.0	2730.0
3600	2000	32.0	21.0	750	1280	1050	1800	3220.0	3220.0	3220.0	3260.0	3270.0
3700	2100	33.0	21.0	760	1340	1050	1810	3520.0	3520.0	3520.0	3550.0	3570.0
3800	2200	34.0	21.0	760	1390	1060	1820	3840.0	3840.0	3840.0	3880.0	3890.0
3900	2400	36.0	21.0	770	1490	1080	1850	4480.0	4480.0	4480.0	4520.0	4530.0
4000	2600	37.5	21.0	760	1560	900	1660	4770.0	4770.0	4770.0	4810.0	4820.0

備考： 1. d之標稱管徑75及100 mm者，為排氣閘用及消防栓用；標稱管徑600 mm者，為人孔用之管。
 2. 附圖係表型式 2。
 3. d之標稱管徑600 mm者，使用於排氣閘用及消防栓用時，須使用人孔蓋。

SHIN NAN CASTING FACTORY CO., LTD.

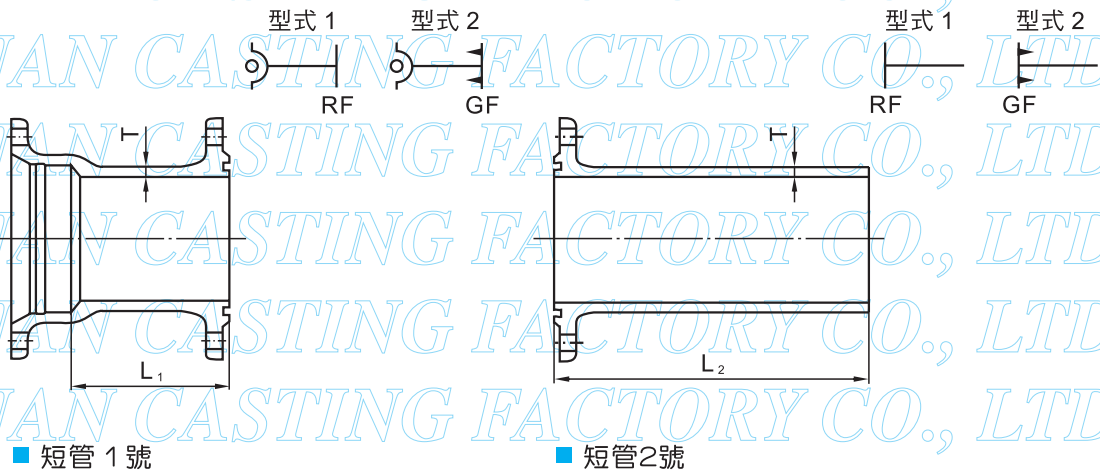
➡ K型排水丁字管



單位：mm

標稱管徑		管厚		各部尺度			質量 (Kg)
D	d	T	t	H	I	L	
200	100	11.0	10	170	190	340	50.8
250	100	12.0	10	180	220	360	64.9
300	100	12.5	10	190	240	380	90.0
350	150	13.0	11	250	270	500	123.0
400	150	14.0	11	260	300	520	149.0
450	200	14.5	12	270	320	540	180.0
500	200	15.0	13	280	350	560	208.0
600	200	16.0	13	290	400	580	265.0
700	300	17.0	15	350	450	700	378.0
800	300	18.0	15	360	500	720	459.0
900	300	19.0	15	370	550	740	557.0
1000	400	20.0	16	440	600	880	735.0
1100	400	21.0	17	450	650	900	866.0
1200	400	22.0	18	470	700	940	1010.0
1350	400	24.0	20	490	780	980	1270.0
1500	400	26.0	22	510	850	1020	1560.0
1600	400	27.5	22	600	930	1200	1960.0
1650	400	28.0	22	610	950	1220	2110.0
1800	400	30.0	23	630	1030	1260	2520.0
2000	400	32.0	24	670	1130	1340	3180.0
2100	400	33.0	25	680	1180	1360	3510.0
2200	400	34.0	25	690	1240	1380	3870.0
2400	400	36.0	26	710	1350	1420	4600.0
2600	400	37.5	26	650	1400	1300	5180.0

☛ K型短管



單位：mm

標稱管徑 D	管厚 T	管長 L ₁ L ₂		質 量 (Kg)									
				短 管 1 號					短 管 2 號				
				型 式 1		型 式 2			型 式 1		型 式 2		
				7.5K	7.5K	10K	16K	20K	7.5K	7.5K	10K	16K	20K
75	8.5	120	700	10.8	10.7	9.17	9.89	10.2	15.1	15.0	13.5	14.2	14.5
100	8.5	120	700	13.6	13.5	11.7	12.9	13.2	19.2	19.0	17.2	18.5	18.8
150	9.0	120	700	19.6	19.4	18.7	20.9	22.0	28.9	28.7	28.0	30.2	31.3
200	11.0	120	700	26.4	26.1	24.8	27.9	29.3	44.2	43.9	42.6	45.8	47.1
250	12.0	170	700	38.5	38.1	37.4	43.2	46.3	60.5	60.1	59.4	65.2	68.3
300	12.5	170	700	52.6	52.2	49.4	57.7	61.1	75.2	74.8	72.0	80.3	83.7
350	13.0	170	700	64.9	64.4	59.0	71.7	75.6	92.6	92.1	86.7	99.4	103.0
400	14.0	170	750	77.6	77.1	74.7	91.3	98.1	119.0	118.0	116.0	133.0	139.0
450	14.5	170	750	94.1	93.5	89.9	112.0	121.0	141.0	141.0	137.0	160.0	168.0
500	15.0	170	750	108.0	107.0	103.0	131.0	140.0	162.0	161.0	157.0	185.0	194.0
600	16.0	250	750	152.0	151.0	151.0	187.0	198.0	205.0	204.0	204.0	240.0	251.0
700	17.0	250	750	194.0	193.0	196.0	242.0	286.0	255.0	254.0	256.0	302.0	347.0
800	18.0	250	750	241.0	240.0	241.0	306.0	387.0	314.0	313.0	315.0	379.0	460.0
900	19.0	250	800	296.0	295.0	290.0	366.0	466.0	399.0	398.0	393.0	469.0	569.0
1000	20.0	250	800	357.0	354.0	353.0	460.0	-	468.0	465.0	464.0	571.0	-
1100	21.0	320	800	456.0	452.0	455.0	570.0	-	544.0	540.0	543.0	658.0	-
1200	22.0	320	800	524.0	520.0	532.0	667.0	-	624.0	620.0	632.0	767.0	-
1350	24.0	320	800	652.0	648.0	661.0	836.0	-	774.0	770.0	783.0	958.0	-
1500	26.0	320	800	785.0	781.0	804.0	1010.0	-	930.0	926.0	949.0	1160.0	-
1600	27.5	500	900	1110.0	1090.0	1110.0	-	-	1180.0	1170.0	1190.0	-	-
1650	28.0	500	900	1180.0	1160.0	1190.0	-	-	1230.0	1220.0	1240.0	-	-
1800	30.0	600	900	1480.0	1470.0	1510.0	-	-	1420.0	1410.0	1450.0	-	-
2000	32.0	600	900	1780.0	1770.0	1830.0	-	-	1670.0	1660.0	1720.0	-	-
2100	33.0	700	1000	2100.0	2080.0	2160.0	-	-	1970.0	1950.0	2030.0	-	-
2200	34.0	700	1000	2290.0	2280.0	2350.0	-	-	2140.0	2120.0	2190.0	-	-
2400	36.0	700	1000	2720.0	2700.0	2820.0	-	-	2500.0	2480.0	2590.0	-	-
2600	37.5	800	1100	3370.0	3350.0	3480.0	-	-	3000.0	2980.0	3110.0	-	-

備考：附圖係表型式 2。

SHIN NAN CASTING FACTORY CO., LTD.

SHIN NAN CASTING FACTORY CO., LTD.

SHIN NAN CASTING FACTORY CO., LTD.

SHIN NAN CASTING FACTORY CO., LTD.

SHIN NAN CASTING FACTORY CO., LTD.

SHIN NAN CASTING FACTORY CO., LTD.

SHIN NAN CASTING FACTORY CO., LTD.

SHIN NAN CASTING FACTORY CO., LTD.

SHIN NAN CASTING FACTORY CO., LTD.

SHIN NAN CASTING FACTORY CO., LTD.

SHIN NAN CASTING FACTORY CO., LTD.

SHIN NAN CASTING FACTORY CO., LTD.

SHIN NAN CASTING FACTORY CO., LTD.

SHIN NAN CASTING FACTORY CO., LTD.

SHIN NAN CASTING FACTORY CO., LTD.

SHIN NAN CASTING FACTORY CO., LTD.

SHIN NAN CASTING FACTORY CO., LTD.

SHIN NAN CASTING FACTORY CO., LTD.

SHIN NAN CASTING FACTORY CO., LTD.

SHIN NAN CASTING FACTORY CO., LTD.

SHIN NAN CASTING FACTORY CO., LTD.

SHIN NAN CASTING FACTORY CO., LTD.

SHIN NAN CASTING FACTORY CO., LTD.

SHIN NAN CASTING FACTORY CO., LTD.

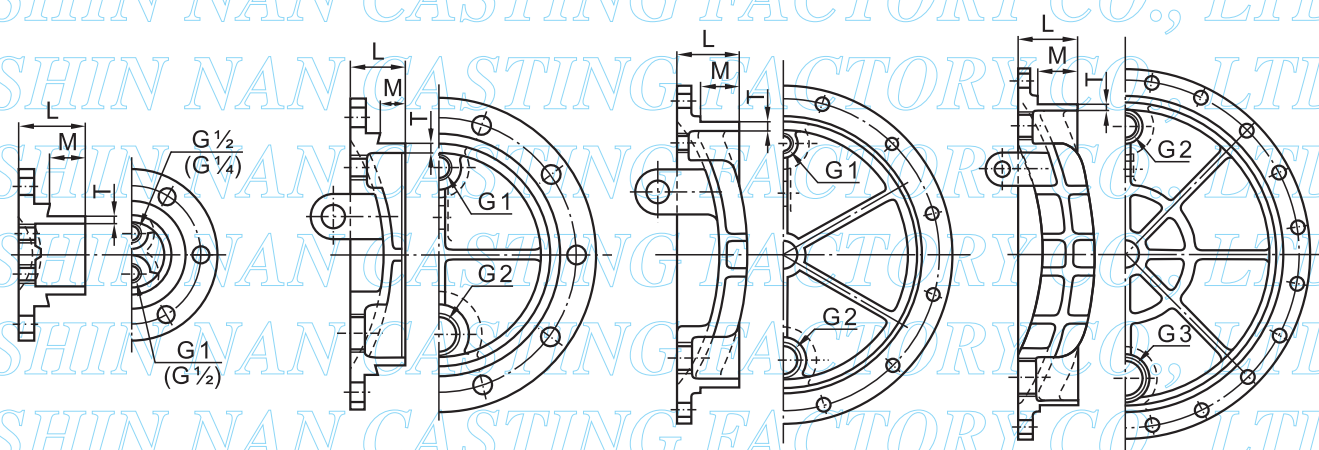
SHIN NAN CASTING FACTORY CO., LTD.

SHIN NAN CASTING FACTORY CO., LTD.

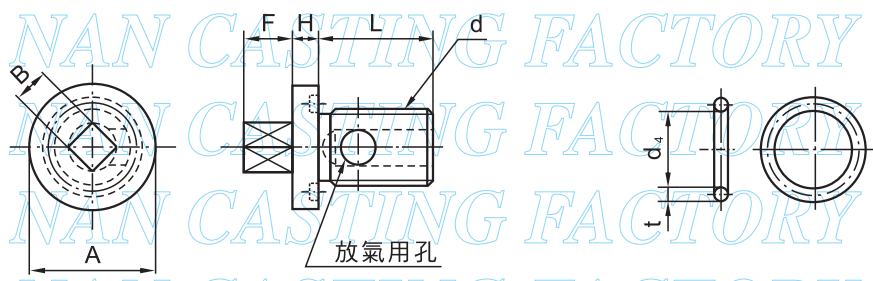
SHIN NAN CASTING FACTORY CO., LTD.

SHIN NAN CASTING FACTORY CO., LTD.

▶ K型管塞



■ 標稱管徑 75~250 mm ■ 標稱管徑 300~350 mm ■ 標稱管徑 400~500 mm ■ 標稱管徑 600~1500 mm



■ 放氣用螺栓 (CNS 3270 之 403) ■ 封環 (CNS 10774 之 SBR IA·ZO)

單位：mm

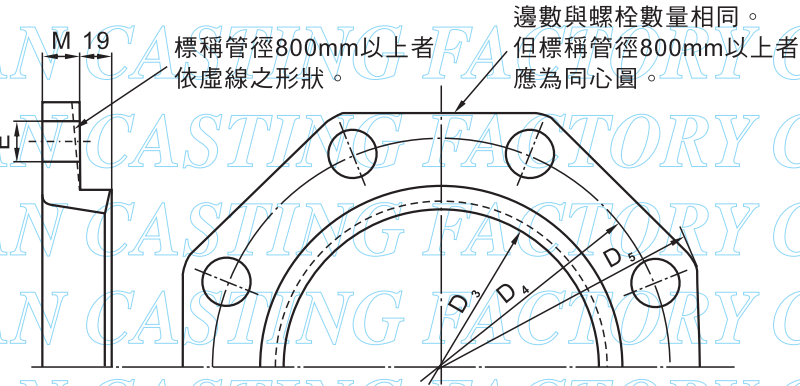
單位：mm

標稱管徑	管厚	各部 尺度		質 量 (Kg)
D	T	M	L	
75	8.5	55	92	5.29
100	8.5	55	93	7.26
150	9.0	55	94	11.00
200	11.0	55	95	16.20
250	12.0	55	96	22.20
300	12.5	85	127	33.20
350	13.0	85	128	43.30
400	14.0	85	129	56.40
450	14.5	85	130	67.00
500	15.0	85	131	79.70
600	16.0	85	132	121.00
700	17.0	95	143	172.00
800	18.0	95	144	257.00
900	19.0	95	145	340.00
1000	20.0	105	156	443.00
1100	21.0	105	158	547.00
1200	22.0	105	160	682.00
1350	24.0	105	162	922.00
1500	26.0	105	164	1200.00

螺紋標稱	放 氣 用 螺 栓					封 環	
	各 部 尺 度					各 部 尺 度	
d	A	B	F	H	L	t	d ₁
G ¼	35	12	10	6	21	5.0	19
G ½	40	14	12	8	22	5.0	21
G 1	55	22	14	10	27	5.0	35
G 2	80	25	18	12	30	5.7	60
G 3	110	29	20	14	40	5.7	90

備考：1. 此管塞之最大使用靜水落差為75m。
 2. ()之尺度，表示標稱管徑75~150mm之場合。
 3. G之符號，表示CNS 494〔平行管螺紋〕，管塞須裝設有封環之放氣用螺栓。

➔ K型用接合配件—壓圈



單位：mm

各部尺度許可差

單位：mm

標稱管徑	各部尺度					螺栓數量	質量 (Kg)
	D ₃	D ₄	D ₅	E	M		
75	97.0	159	197	19	15	4	1.87
100	122.0	186	232	23	16	4	2.49
150	173.0	241	287	23	17	6	4.27
200	224.0	292	338	23	18	6	5.31
250	275.6	348	394	23	19	8	7.53
300	326.8	399	445	23	20	8	8.91
350	378.0	458	504	23	21	10	11.90
400	429.6	512	558	23	22	12	14.60
450	480.8	567	613	23	23	12	17.20
500	532.0	618	664	23	24	14	19.90
600	634.8	725	771	23	25	14	24.90
700	738.0	839	893	27	26	16	35.20
800	841.0	942	996	27	28	20	42.10
900	944.0	1052	1118	33	29	20	53.90
1000	1047.0	1160	1226	33	30	20	63.20
1100	1150.0	1266	1332	33	31	24	72.10
1200	1253.0	1372	1438	33	32	28	81.30
1350	1407.0	1536	1602	33	33	28	99.40
1500	1561.0	1700	1766	33	35	28	123.00
1600	1658.0	1790	1856	33	35	30	128.00
1650	1709.0	1844	1910	33	36	30	137.00
1800	1856.0	1996	2062	33	38	34	160.00
2000	2069.0	2216	2282	33	40	36	194.00
2100	2172.0	2322	2388	33	42	38	216.00
2200	2288.0	2441	2507	33	43	40	235.00
2400	2466.0	2626	2692	33	46	44	279.00
2600	2692.0	2862	2928	33	49	48	344.00

標稱管徑	許可差				
	D ₃	D ₄	D ₅	E ⁽¹⁾	M
75 250	+3.0 -1.0	±1.5	+不予規定 -2.0	+1.5 -0.5	+3.0 -1.5
300 600					+4.0 -2.0
700 900	+3.5 -1.0				+5.0 -2.5
1000 1500					+6.0 -3.0
1600 1800	+4.5 -1.0	±2.0	+不予規定 -3.0		+7.0 -3.0
2000 2600					

註⁽¹⁾：螺栓孔如為鑄孔者，單邊之許可差可至+2.5 mm。

質量許可差

標稱管徑 (mm)	許可差 (%)
75 450	+不予規定 -8
500 900	+不予規定 -6
1000 1600	+不予規定 -4

SHIN NAN CASTING FACTORY CO., LTD.

► K型用接合配件 — T頭螺栓・螺帽

SHIN NAN CASTING FACTORY CO., LTD.

SHIN NAN CASTING FACTORY CO., LTD.

SHIN NAN CASTING FACTORY CO., LTD.

SHIN NAN CASTING FACTORY CO., LTD.

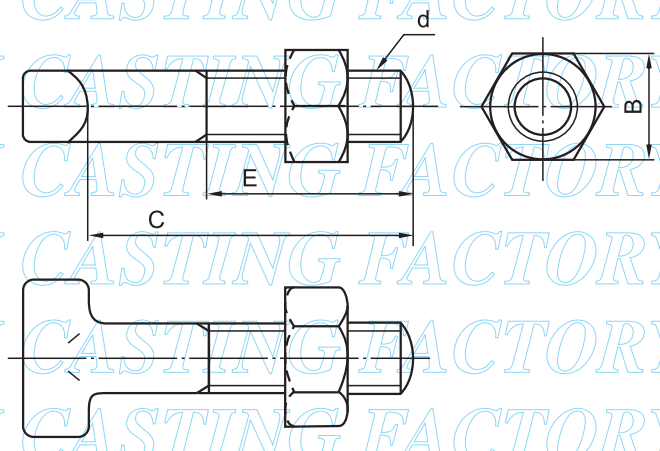
SHIN NAN CASTING FACTORY CO., LTD.

SHIN NAN CASTING FACTORY CO., LTD.

SHIN NAN CASTING FACTORY CO., LTD.

SHIN NAN CASTING FACTORY CO., LTD.

SHIN NAN CASTING FACTORY CO., LTD.



單位：mm

標稱管徑	螺栓標稱	各部尺度			1組之數量
		d	C	E	
75	M16	85	55	24	4
100	M20	90	60	30	4
150	M20	90	60	30	6
200	M20	90	60	30	6
250	M20	90	60	30	8
300	M20	100	65	30	8
350	M20	100	65	30	10
400	M20	110	65	30	12
450	M20	110	65	30	12
500	M20	110	65	30	14
600	M20	120	65	30	14
700	M24	120	75	36	16
800	M24	120	75	36	20
900	M30	130	85	46	20
1000	M30	130	85	46	20
1100	M30	140	85	46	24
1200	M30	140	85	46	28
1350	M30	150	85	46	28
1500	M30	150	85	46	28
1600	M30	150	85	46	30
1650	M30	150	85	46	30
1800	M30	150	85	46	34
2000	M30	160	90	46	36
2100	M30	160	90	46	38
2200	M30	170	90	46	40
2400	M30	170	90	46	44
2600	M30	180	100	46	48

各部尺度許可差

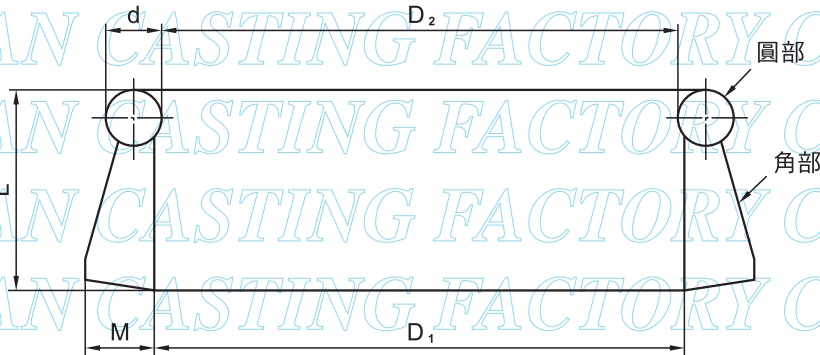
單位：mm

標稱管徑	許可差		
	C	E	B
75			0 -1.0
100 600	+5.0 0	+5.0 -2.0	0 -1.5
700 2600			0 -2.0

SHIN NAN CASTING FACTORY CO., LTD.

SHIN NAN CASTING FACTORY CO., LTD.

➡ K型用接合配件—橡膠圈



單位：mm

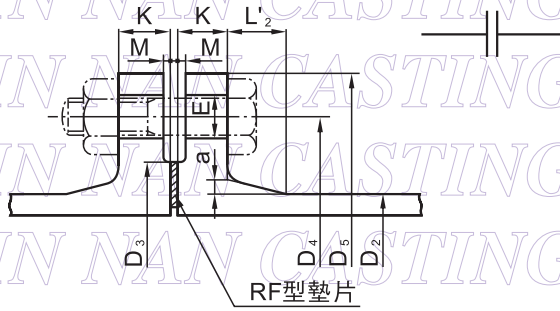
標稱管徑	各部尺度				
	D_1	D_2	d	L	M
75	91	87	10	45	17
100	116	112	10	45	17
150	165	161	10	45	17
200	216	212	10	45	17
250	266	262	10	45	17
300	316	310	14	49	17
350	366	360	14	49	17
400	416	410	14	49	17
450	468	462	14	49	17
500	518	512	14	49	17
600	620	614	14	49	17
700	718	712	17	61	21
800	818	812	17	61	21
900	918	912	17	61	21
1000	1018	1011	18	62	21
1100	1119	1112	18	62	21
1200	1220	1213	18	62	21
1350	1370	1363	18	62	21
1500	1520	1513	18	62	21
1600	1620	1613	20	80	25
1650	1670	1663	20	80	25
1800	1820	1813	20	80	25
2000	2020	2013	20	80	25
2100	2120	2113	20	80	25
2200	2230	2223	20	80	25
2400	2410	2403	20	80	25
2600	2630	2622	23	93	30

各部尺度許可差

單位：mm

標稱管徑	許可差				
	D_1 (%)	D_2 (%)	d	L	M
75 250			± 0.25	± 0.5	± 0.3
300 600			± 0.8		± 0.6
700 900	0	0			
1000 1500	-1.0	-1.0	$+1.3$ -0.3	$+1.5$ -1.0	$+1.0$ -0.6
1600 1800					± 1.0
2000 2600					$+1.5$ -1.0

凸緣型延性鑄鐵管件



註：螺栓孔之配置，則將管之全部軸線放成水平時，對其凸緣面之垂直中心線均等分配之。

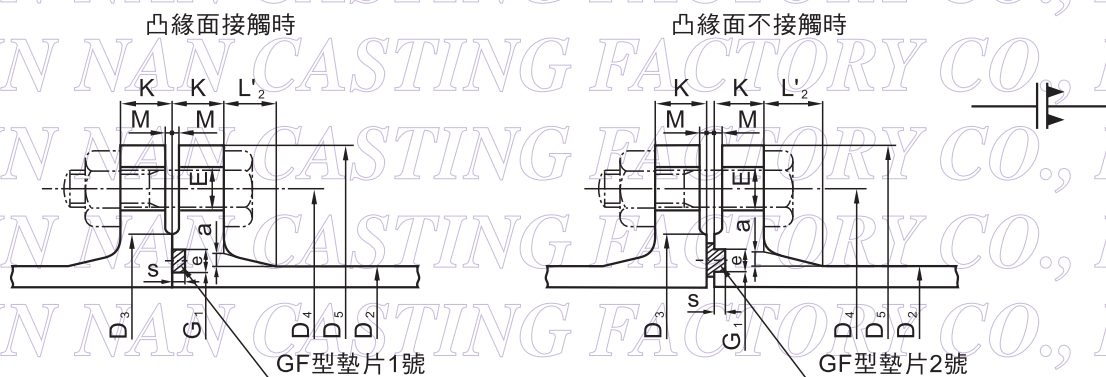
RF型—RF型 (大平面座型)

單位：mm

7.5K															
標稱管徑	外徑	墊片槽			各部尺度								螺栓數量	凸緣凸出部質量 (Kg)	
D	D ₂	G ₁	e	s	D ₃	D ₄	D ₅	K	M	E	a	L ₂		RF型	GF型
75	93.0	90	10	5	125	168	211	21	3	19	5	26	4	3.77	3.66
100	118.0	115	10	5	152	195	238	21	3	19	5	26	4	4.55	4.40
150	169.0	170	10	5	204	247	290	22	3	19	5	26	6	6.22	6.02
200	220.0	220	10	5	256	299	342	23	3	19	5	26	8	8.06	7.80
250	271.6	275	10	5	308	360	410	24	3	23	5	26	8	11.50	11.10
300	322.8	325	10	5	362	414	464	25	3	23	5	32	10	14.20	13.80
350	374.0	375	10	5	414	472	530	26	3	25	5	32	10	18.80	18.30
400	425.6	425	10	5	466	524	582	27	3	25	5	32	12	21.80	21.30
450	476.8	475	10	5	518	585	652	28	3	27	5	32	12	28.30	27.70
500	528.0	530	10	5	572	639	706	29	4	27	6	32	12	32.00	31.40
600	630.8	630	10	5	676	743	810	30	4	27	6	32	16	38.90	38.20
700	733.0	730	10	5	780	854	928	31	4	33	6	32	16	49.90	49.10
800	836.0	833	10	5	886	960	1034	32	4	33	14	68	20	66.10	65.10
900	939.0	935	10	5	990	1073	1156	33	4	33	15	77	20	85.30	84.30
1000	1041.0	1032	16	8	1096	1179	1262	34	4	33	17	84	24	101.00	98.20
1100	1144.0	1134	16	8	1200	1283	1366	36	4	33	18	90	24	120.00	116.00
1200	1246.0	1236	16	8	1304	1387	1470	38	4	33	19	96	28	140.00	136.00
1350	1400.0	1390	16	8	1462	1552	1642	40	4	39	21	110	28	181.00	177.00
1500	1554.0	1544	16	8	1620	1710	1800	42	5	39	24	115	32	216.00	212.00
1600	1650.0	1656	24	12	1760	1820	1915	47	5	39	24	120	36	275.00	264.00
1650	1701.0	1706	24	12	1810	1870	1965	48	5	39	24	120	40	286.00	275.00
1800	1848.0	1856	24	12	1960	2020	2115	49	5	39	24	120	44	318.00	306.00
2000	2061.0	2061	24	12	2170	2230	2325	51	5	46	25	125	48	360.00	346.00
2100	2164.0	2161	24	12	2270	2335	2430	52	5	46	25	125	48	386.00	372.00
2200	2280.0	2261	24	12	2370	2440	2550	54	6	46	26	130	52	424.00	409.00
2400	2458.0	2461	24	12	2570	2650	2760	56	6	46	28	140	56	538.00	522.00
2600	2684.0	2662	28	14	2780	2850	2960	58	6	52	28	140	56	549.00	525.00

單位：mm

10K															
標稱管徑	外徑	墊片槽			各部尺度								螺栓數量	凸緣凸出部質量 (Kg)	
D	D ₂	G ₁	e	s	D ₃	D ₄	D ₅	K	M	E	a	L ₂		RF型	GF型
75	93.0	90	10	5	126	150	185	18	2	19	5	24	8	2.28	2.17
100	118.0	115	10	5	151	175	210	18	2	19	5	24	8	2.75	2.61
150	169.0	170	10	5	212	240	280	22	2	23	5	24	8	5.59	5.39
200	220.0	220	10	5	262	290	330	22	2	23	5	29	12	6.75	6.49
250	271.6	275	10	5	324	355	400	24	2	25	6	30	12	10.70	10.40
300	322.8	325	10	5	368	400	445	24	3	25	7	33	16	11.40	11.00
350	374.0	375	10	5	413	445	490	26	3	25	7	36	16	13.40	12.90
400	425.6	425	10	5	475	510	560	28	3	27	8	39	16	19.40	18.90
450	476.8	475	10	5	530	565	620	30	3	27	9	42	20	24.70	24.10
500	528.0	530	10	5	585	620	675	30	3	27	9	45	20	28.30	27.60
600	630.8	630	10	5	690	730	795	32	3	33	10	51	24	39.00	38.30
700	733.0	730	10	5	800	840	905	34	3	33	12	57	24	52.10	51.30
800	836.0	833	10	5	905	950	1020	36	3	33	13	63	28	67.70	66.70
900	939.0	935	10	5	1005	1050	1120	38	3	33	14	71	28	80.30	79.20
1000	1041.0	1032	16	8	1110	1160	1235	40	3	39	16	77	28	100.00	97.20
1100	1144.0	1134	16	8	1220	1270	1345	42	3	39	17	83	28	122.00	119.00
1200	1246.0	1236	16	8	1325	1380	1465	44	3	39	18	89	32	152.00	148.00
1350	1400.0	1390	16	8	1480	1540	1630	48	3	45	20	100	36	194.00	190.00
1500	1554.0	1544	16	8	1635	1700	1795	50	3	45	22	110	40	239.00	235.00
1600	1650.0	1656	24	12	1760	1820	1915	55	5	49	22	110	40	295.00	284.00
1650	1701.0	1706	24	12	1810	1870	1965	56	5	49	22	110	40	308.00	296.00
1800	1848.0	1856	24	12	1960	2020	2115	60	5	49	22	110	44	358.00	345.00
2000	2061.0	2061	24	12	2170	2230	2325	65	5	49	22	110	48	421.00	408.00
2100	2164.0	2161	24	12	2270	2335	2430	68	5	49	22	110	52	461.00	447.00
2200	2280.0	2261	24	12	2370	2440	2550	71	6	56	22	110	52	494.00	479.00
2400	2458.0	2461	24	12	2570	2650	2760	76	6	56	24	120	56	651.00	634.00
2600	2684.0	2662	28	14	2780	2850	2960	81	6	56	24	120	60	683.00	659.00



■ RF型(大平面座型) - GF型(槽型)

單位: mm

16K															
標稱管徑 D	外徑 D ₂	墊片槽			各部尺度								螺絲 數量	凸緣凸出部質量 (Kg)	
		G ₁	e	s	D ₃	D ₄	D ₅	K	M	E	a	L' ₂		RF型	GF型
75	93.0	90	10	5	132	160	200	20	2	23	6	23	8	3.00	2.89
100	118.0	115	10	5	160	185	225	22	2	23	6	23	8	3.98	3.84
150	169.0	170	10	5	230	260	305	24	2	25	8	26	12	7.73	7.53
200	220.0	220	10	5	275	305	350	26	2	25	8	29	12	9.89	9.63
250	271.6	275	10	5	345	380	430	28	2	27	10	32	12	16.50	16.20
300	322.8	325	10	5	395	430	480	30	3	27	11	35	16	19.70	19.30
350	374.0	375	10	5	440	480	540	34	3	33	11	36	16	26.00	25.60
400	425.6	425	10	5	495	540	605	38	3	33	11	37	16	36.00	35.50
450	476.8	475	10	5	560	605	675	40	3	33	13	40	20	47.30	46.70
500	528.0	530	10	5	615	660	730	42	3	33	14	43	20	56.30	55.70
600	630.8	630	10	5	720	770	845	46	3	39	15	49	24	75.00	74.20
700	733.0	730	10	5	820	875	960	50	5	42	17	55	24	98.20	97.40
800	836.0	833	10	5	930	990	1085	54	5	48	19	61	24	132.00	131.00
900	939.0	935	10	5	1030	1090	1185	58	5	48	20	67	28	156.00	155.00
1000	1041.0	1032	16	8	1140	1210	1320	62	5	56	21	73	28	207.00	204.00
1100	1144.0	1134	16	8	1240	1310	1420	66	5	56	22	79	32	237.00	234.00
1200	1246.0	1236	16	8	1350	1420	1530	70	5	56	23	85	32	287.00	283.00
1350	1400.0	1390	16	8	1510	1590	1700	76	5	62	25	94	32	369.00	365.00
1500	1554.0	1544	16	8	1670	1750	1865	80	5	62	27	105	36	451.00	446.00

單位: mm

20K															
標稱管徑 D	外徑 D ₂	墊片槽			各部尺度								螺絲 數量	凸緣凸出部質量 (Kg)	
		G ₁	e	s	D ₃	D ₄	D ₅	K	M	E	a	L' ₂		RF型	GF型
75	93.0	90	10	5	132	160	200	22	2	23	6	21	8	3.29	3.18
100	118.0	115	10	5	160	185	225	24	2	23	6	21	8	4.33	4.18
150	169.0	170	10	5	230	260	305	28	2	25	7	22	12	8.90	8.70
200	220.0	220	10	5	275	305	350	30	2	25	7	25	12	11.20	11.00
250	271.6	275	10	5	345	380	430	34	2	27	8	26	12	19.60	19.30
300	322.8	325	10	5	395	430	480	36	3	27	9	29	16	23.10	22.70
350	374.0	375	10	5	440	480	540	40	3	33	9	29	16	30.00	29.50
400	425.6	425	10	5	495	540	605	46	3	33	9	29	16	42.80	42.30
450	476.8	475	10	5	560	605	675	48	3	33	10	32	20	55.50	54.90
500	528.0	530	10	5	615	660	730	50	3	33	11	35	20	65.40	64.80
600	630.8	630	10	5	720	770	845	54	3	39	13	41	24	86.10	85.30
700	733.0	730	10	5	840	900	995	64	5	48	13	56	24	143.00	142.00
800	836.0	833	10	5	960	1030	1140	72	5	56	14	63	24	213.00	212.00
900	939.0	935	10	5	1070	1140	1250	76	5	56	15	74	28	256.00	255.00

- 備考:
1. 7.5~20K之符號, 表示CNS 7118 [鐵金屬製管之壓力定額] 之標稱壓力。
 2. 10~20K之D₄、D₅、E尺度及螺絲數量, 依CNS 790 [鐵金屬製凸緣基準尺度 (10 kgf/cm²)]、CNS 791 [鐵金屬製凸緣基準尺度 (16 kgf/cm²)]、CNS 792 [鐵金屬製凸緣基準尺度 (20 kgf/cm²)] 之規定。
 3. 7.5K凸緣, 則以RF型-RF型或RF型-GF型之組合使用之。
 4. 10~20K凸緣, 則以RF型-GF型之組合使用之。
 5. RF型不附墊片V槽。
 6. 管件之凸緣分為型式1及型式2, 如附圖所示。

SHIN NAN CASTING FACTORY CO., LTD.

SHIN NAN CASTING FACTORY CO., LTD.

SHIN NAN CASTING FACTORY CO., LTD.

SHIN NAN CASTING FACTORY CO., LTD.

SHIN NAN CASTING FACTORY CO., LTD.

SHIN NAN CASTING FACTORY CO., LTD.

SHIN NAN CASTING FACTORY CO., LTD.

SHIN NAN CASTING FACTORY CO., LTD.

SHIN NAN CASTING FACTORY CO., LTD.

SHIN NAN CASTING FACTORY CO., LTD.

SHIN NAN CASTING FACTORY CO., LTD.

SHIN NAN CASTING FACTORY CO., LTD.

SHIN NAN CASTING FACTORY CO., LTD.

SHIN NAN CASTING FACTORY CO., LTD.

SHIN NAN CASTING FACTORY CO., LTD.

SHIN NAN CASTING FACTORY CO., LTD.

SHIN NAN CASTING FACTORY CO., LTD.

SHIN NAN CASTING FACTORY CO., LTD.

SHIN NAN CASTING FACTORY CO., LTD.

SHIN NAN CASTING FACTORY CO., LTD.

SHIN NAN CASTING FACTORY CO., LTD.

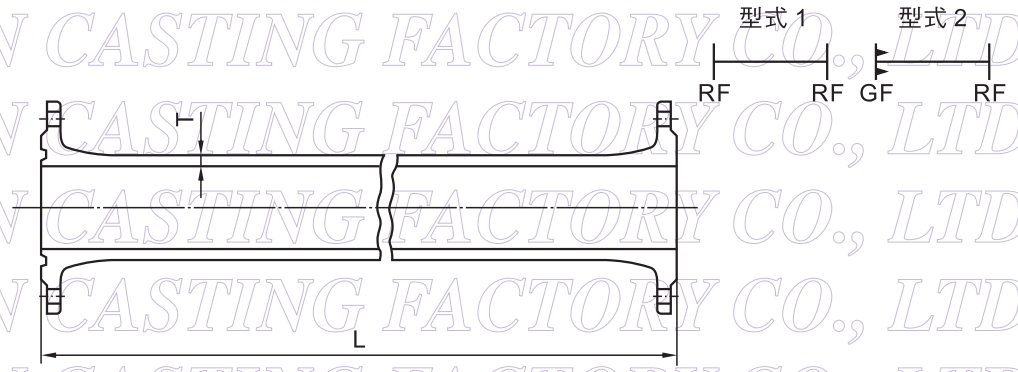
SHIN NAN CASTING FACTORY CO., LTD.

SHIN NAN CASTING FACTORY CO., LTD.

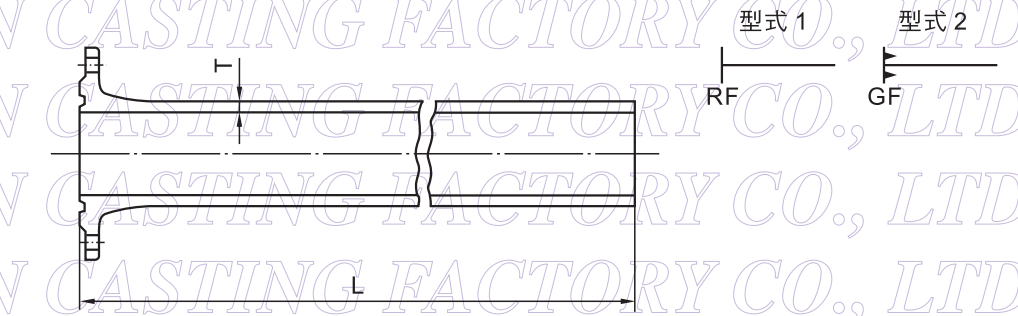
SHIN NAN CASTING FACTORY CO., LTD.

SHIN NAN CASTING FACTORY CO., LTD.

凸緣長管



■ 雙凸緣長管



■ 單凸緣長管

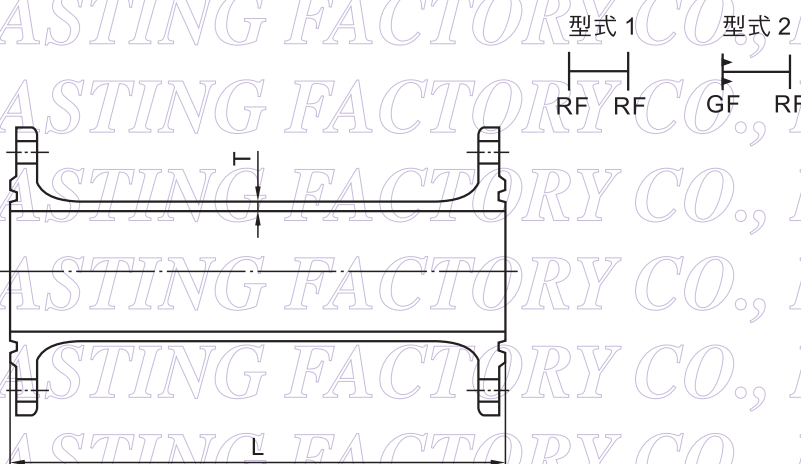
單位：mm

標稱管徑 D	管厚 T	管長 L	質 量 (Kg)									
			雙 凸 緣 長 管					單 凸 緣 長 管				
			型 式 1		型 式 2			型 式 1		型 式 2		
			7.5K	7.5K	10K	16K	20K	7.5K	7.5K	10K	16K	20K
75	8.5	3000	55.9	55.8	52.9	54.3	54.9	52.2	52.1	50.6	51.3	51.6
100	8.5	3000	71.7	71.7	68.1	70.5	71.2	67.3	67.1	65.3	66.6	66.9
150	9.0	4000	142.0	142.0	140.0	145.0	147.0	136.0	135.0	135.0	137.0	138.0
200	11.0	4000	223.0	222.0	220.0	226.0	229.0	215.0	214.0	213.0	216.0	218.0
250	12.0	4000	303.0	303.0	301.0	313.0	319.0	291.0	291.0	290.0	296.0	299.0
300	12.5	4000	377.0	377.0	371.0	388.0	394.0	363.0	362.0	360.0	368.0	371.0
350	13.0	4000	459.0	459.0	448.0	473.0	481.0	440.0	440.0	435.0	447.0	451.0
400	14.0	4000	561.0	561.0	556.0	589.0	603.0	540.0	539.0	537.0	553.0	560.0
450	14.5	4000	659.0	658.0	651.0	696.0	713.0	631.0	630.0	626.0	649.0	657.0
500	15.0	4000	755.0	755.0	747.0	803.0	822.0	723.0	723.0	719.0	747.0	756.0
600	16.0	4000	962.0	961.0	961.0	1030.0	1060.0	923.0	922.0	922.0	958.0	969.0
700	17.0	4000	1190.0	1190.0	1200.0	1290.0	1380.0	1140.0	1140.0	1140.0	1190.0	1240.0
800	18.0	4000	1460.0	1450.0	1460.0	1590.0	1750.0	1390.0	1390.0	1390.0	1450.0	1530.0
900	19.0	4000	1740.0	1740.0	1730.0	1880.0	2080.0	1660.0	1650.0	1650.0	1730.0	1830.0
1000	20.0	4000	2040.0	2030.0	2030.0	2250.0	-	1940.0	1930.0	1930.0	2040.0	-
1100	21.0	4000	2360.0	2350.0	2360.0	2590.0	-	2240.0	2230.0	2240.0	2350.0	-
1200	22.0	4000	2700.0	2700.0	2720.0	2990.0	-	2560.0	2560.0	2570.0	2700.0	-
1350	24.0	4000	3330.0	3330.0	3350.0	3700.0	-	3150.0	3140.0	3160.0	3330.0	-
1500	26.0	4000	4000.0	4000.0	4040.0	4470.0	-	3790.0	3780.0	3800.0	4020.0	-

備考：1. 表列之管長為實際可鑄管長度。
 2. 一體鑄造長度說明：
 標稱管徑75~100 mm者，最長為1 M；標稱管徑150 mm以上者，最長為2 M。
 3. 如需製造2 M以上長管，可由買賣雙方協議之。（可為焊接或一體鑄造）
 4. 附圖係表型式 2。



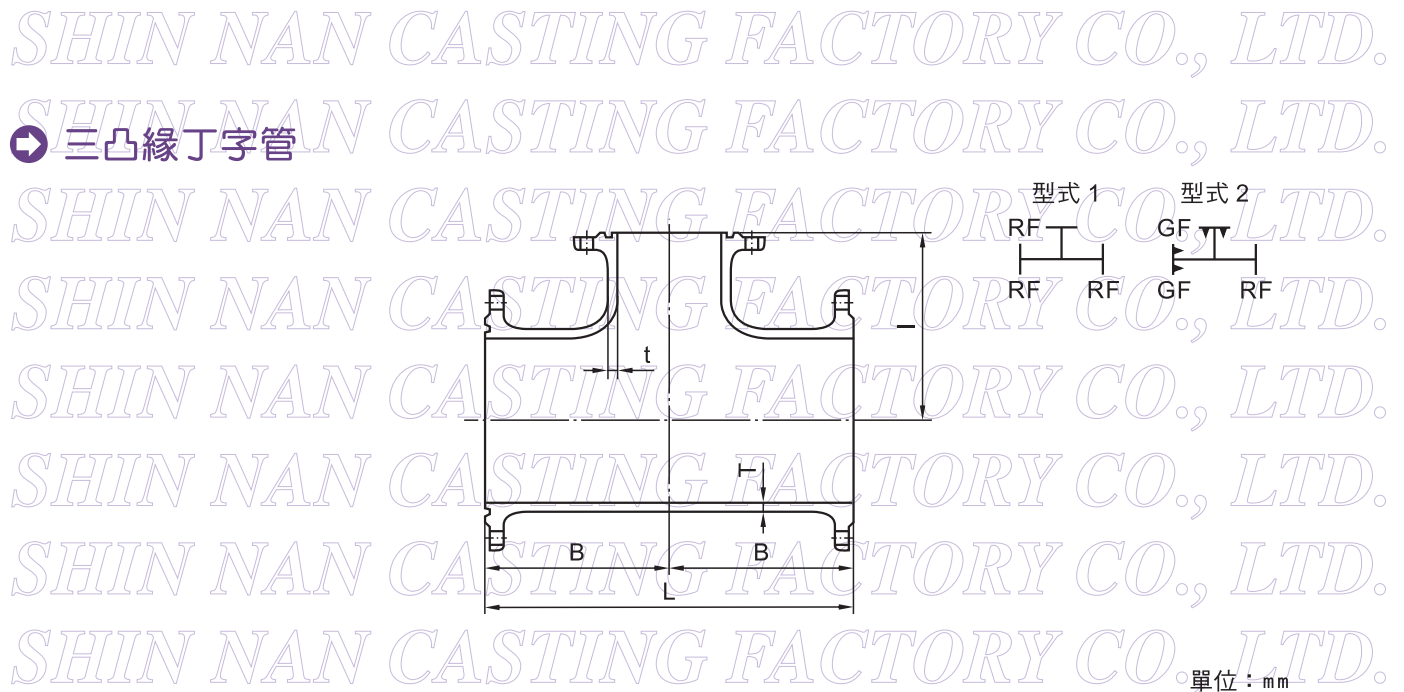
凸緣短管



單位：mm

標稱管徑 D	管厚 T	管長 L	質 量 (Kg)				
			型式 1		型 式 2		
			7.5K	7.5K	10K	16K	20K
75	8.5	100	9.15	9.04	6.06	7.50	8.08
	8.5	150	9.96	9.85	6.87	8.31	8.89
	8.5	250	11.60	11.50	8.48	9.92	10.50
	8.5	300	12.40	12.30	9.29	10.70	11.30
	8.5	400	14.00	13.90	10.90	12.30	12.90
100	8.5	500	15.60	15.50	12.50	14.00	14.50
	8.5	100	11.20	11.00	7.45	9.91	10.60
	8.5	150	12.20	12.10	8.50	11.00	11.60
	8.5	250	14.30	14.20	10.60	13.00	13.70
	8.5	300	15.40	15.20	11.60	14.10	14.80
150	8.5	400	17.50	17.30	13.70	16.20	16.90
	8.5	500	19.60	19.40	15.80	18.30	19.00
	9.0	100	15.70	15.50	14.20	18.50	20.80
	9.0	150	17.30	17.10	15.80	20.10	22.50
	9.0	250	20.50	20.30	19.10	23.30	25.70
9.0	300	22.10	21.90	20.70	25.00	27.30	
	400	25.40	25.20	23.90	28.20	30.50	

備考：附圖係表型式 2。

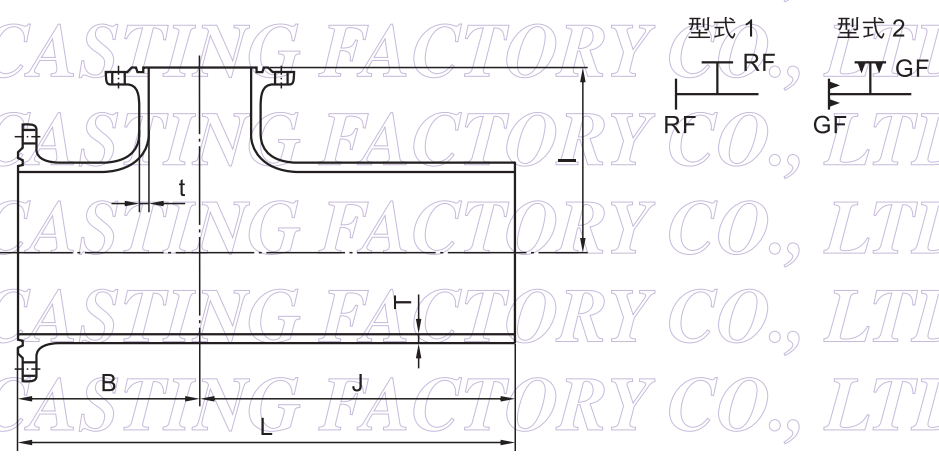


單位：mm

標稱管徑		管厚		各部尺度			質量 (Kg)				
D	d	T	t	B	I	L	型式 1		型式 2		
							7.5K	7.5K	10K	16K	20K
75	75	8.5	8.5	160	140	320	17.9	17.7	13.2	15.3	16.2
	100	75	8.5	180	160	360	21.9	21.6	16.5	19.7	20.7
100	100	8.5	8.5	180	160	360	23.1	22.8	17.4	21.1	22.1
	75	9.0	8.5	190	190	380	30.0	29.7	26.9	31.9	34.6
150	100	9.0	8.5	190	190	380	31.2	30.8	27.8	33.3	36.0
	150	9.0	9.0	190	190	380	33.8	33.4	31.5	38.0	41.5
200	100	11.0	10.0	200	230	400	43.8	43.4	39.0	46.5	49.5
	150	11.0	11.0	250	250	500	52.9	52.4	49.2	57.6	61.4
200	200	11.0	11.0	250	250	500	56.1	55.6	51.7	61.1	65.1
	100	12.0	10.0	230	250	460	62.0	61.4	58.2	71.0	77.5
250	150	12.0	11.0	230	250	460	64.9	64.3	62.1	75.9	83.2
	250	12.0	12.0	280	260	560	80.4	79.6	77.4	94.8	104.0
300	100	12.5	10.0	240	280	480	77.1	76.5	69.1	87.0	94.1
	150	12.5	11.0	240	280	480	79.9	79.3	73.1	91.8	99.8
300	200	12.5	11.0	330	300	660	99.2	98.6	91.7	111.0	120.0
	300	12.5	12.5	330	300	660	109.0	108.0	100.0	125.0	135.0
350	250	13.0	12.0	360	340	720	133.0	132.0	120.0	151.0	162.0
	350	13.0	13.0	360	340	720	144.0	143.0	127.0	165.0	177.0
400	300	14.0	12.5	410	390	820	175.0	174.0	166.0	208.0	225.0
	400	14.0	14.0	410	390	820	188.0	187.0	180.0	230.0	250.0
450	300	14.5	12.5	440	420	880	214.0	213.0	203.0	256.0	276.0
	450	14.5	14.5	440	420	880	237.0	235.0	225.0	292.0	317.0
500	300	15.0	12.5	480	460	960	256.0	255.0	244.0	309.0	330.0
	350	15.0	13.0	480	460	960	262.0	261.0	248.0	317.0	339.0
500	500	15.0	15.0	480	460	960	285.0	284.0	273.0	357.0	384.0
	600	400	16.0	14.0	550	530	1100	360.0	359.0	357.0	445.0
600	500	16.0	15.0	550	530	1100	376.0	375.0	371.0	471.0	503.0
	600	16.0	16.0	550	530	1100	391.0	389.0	390.0	498.0	531.0
700	400	17.0	14.0	620	600	1240	479.0	478.0	480.0	589.0	685.0
	500	17.0	15.0	620	600	1240	495.0	493.0	494.0	614.0	713.0
700	600	17.0	16.0	620	600	1240	508.0	507.0	511.0	639.0	740.0
	700	17.0	17.0	620	600	1240	529.0	527.0	534.0	672.0	806.0
800	500	18.0	15.0	690	670	1380	645.0	644.0	643.0	800.0	971.0
	600	18.0	16.0	690	670	1380	658.0	657.0	660.0	825.0	998.0
800	700	18.0	17.0	690	670	1380	677.0	676.0	681.0	856.0	1060.0
	800	18.0	18.0	690	670	1380	705.0	703.0	708.0	901.0	1140.0
900	600	19.0	16.0	600	690	1200	701.0	700.0	690.0	877.0	1090.0
	700	19.0	17.0	770	750	1540	867.0	865.0	857.0	1050.0	1300.0
900	800	19.0	18.0	770	750	1540	893.0	891.0	883.0	1100.0	1380.0
	900	19.0	19.0	770	750	1540	926.0	924.0	909.0	1140.0	1440.0
1000	600	20.0	16.0	680	770	1360	889.0	885.0	883.0	1130.0	-
	800	20.0	18.0	840	820	1680	1090.0	1090.0	1090.0	1360.0	-
1100	1000	20.0	20.0	840	820	1680	1150.0	1150.0	1140.0	1460.0	-
	600	21.0	16.0	650	800	1300	984.0	979.0	984.0	1250.0	-
1100	800	21.0	18.0	740	830	1480	1120.0	1120.0	1120.0	1420.0	-
	1100	21.0	21.0	910	890	1820	1420.0	1410.0	1420.0	1760.0	-
1200	600	22.0	17.0	680	860	1360	1160.0	1160.0	1180.0	1490.0	-
	900	22.0	19.0	810	910	1620	1390.0	1380.0	1400.0	1750.0	-
1200	1200	22.0	22.0	970	950	1940	1700.0	1690.0	1730.0	2130.0	-
	600	24.0	19.0	700	950	1400	1470.0	1460.0	1490.0	1870.0	-
1350	900	24.0	19.0	860	1000	1720	1760.0	1750.0	1770.0	2200.0	-
	*1350	24.0	24.0	1080	1050	2160	2400.0	2390.0	2430.0	2960.0	-
1500	600	26.0	21.0	730	1050	1460	1810.0	1810.0	1850.0	2310.0	-
	1000	26.0	21.0	920	1100	1840	2220.0	2210.0	2260.0	2790.0	-
*1500	26.0	26.0	1180	1150	2360	3050.0	3050.0	3120.0	3750.0	-	

備考：1. 標稱管徑欄有 * 符號之管，須附補強肋。
2. 附圖係表型式 2。

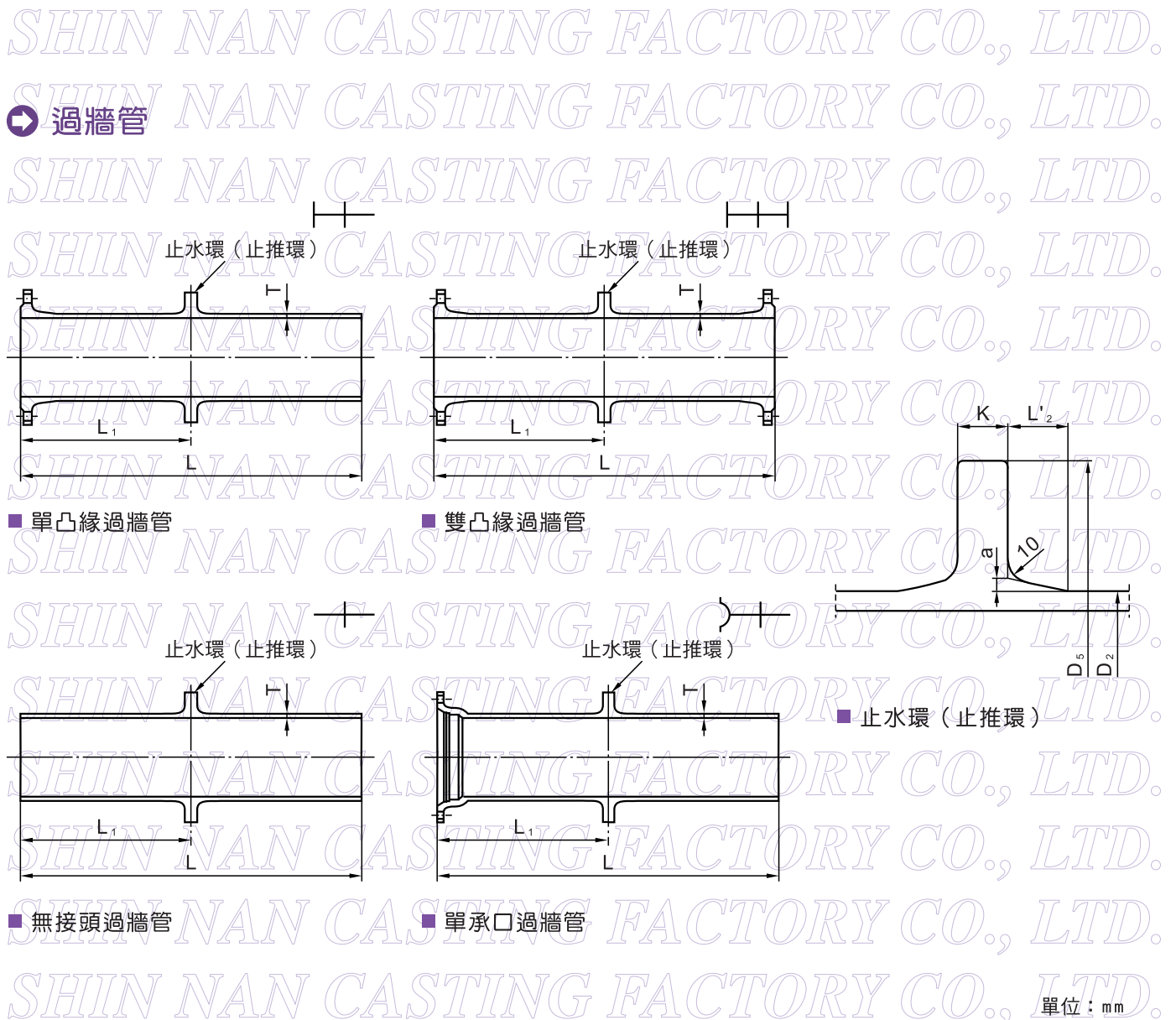
雙凸緣丁字管



單位：mm

標稱管徑		管厚		各部尺度				質量 (Kg)				
D	d	T	t	B	I	J	L	型式 1		型式 2		
								7.5K	7.5K	10K	16K	20K
75	75	8.5	8.5	160	140	480	640	19.3	19.1	16.1	17.5	18.1
100	75	8.5	8.5	180	160	530	710	24.7	24.4	21.1	23.1	23.7
	100	8.5	8.5	180	160	530	710	25.9	25.6	22.0	24.4	25.1
150	75	9.0	8.5	190	190	600	790	37.0	36.7	34.6	37.5	38.9
	100	9.0	8.5	190	190	600	790	38.2	37.9	35.4	38.8	40.3
	150	9.0	9.0	190	190	600	790	40.9	40.5	39.2	43.5	45.8
200	100	11.0	10.0	200	230	560	760	54.3	53.9	50.8	55.2	56.9
	150	11.0	11.0	250	250	630	880	64.4	64.0	62.0	67.3	69.8
	200	11.0	11.0	250	250	630	880	67.7	67.2	64.5	70.8	73.6
250	100	12.0	10.0	230	250	600	830	76.4	75.8	73.4	80.4	83.8
	150	12.0	11.0	230	250	600	830	79.3	78.7	77.3	85.3	89.5
	250	12.0	12.0	280	260	670	950	96.2	95.4	94.0	106.0	112.0
300	100	12.5	10.0	240	280	600	840	94.2	93.7	89.1	98.6	102.0
	150	12.5	11.0	240	280	600	840	97.1	96.5	93.1	104.0	108.0
	200	12.5	11.0	330	300	700	1030	117.0	117.0	112.0	124.0	129.0
	300	12.5	12.5	330	300	700	1030	127.0	126.0	121.0	137.0	144.0
350	250	13.0	12.0	360	340	750	1110	155.0	154.0	148.0	167.0	174.0
	350	13.0	13.0	360	340	750	1110	166.0	165.0	155.0	180.0	188.0
400	300	14.0	12.5	410	390	780	1190	201.0	200.0	195.0	220.0	230.0
	400	14.0	14.0	410	390	780	1190	214.0	213.0	209.0	242.0	255.0
450	300	14.5	12.5	440	420	820	1260	243.0	242.0	236.0	266.0	278.0
	450	14.5	14.5	440	420	820	1260	266.0	264.0	257.0	302.0	319.0
500	300	15.0	12.5	480	460	850	1330	288.0	287.0	280.0	316.0	329.0
	350	15.0	13.0	480	460	850	1330	294.0	293.0	284.0	325.0	338.0
	500	15.0	15.0	480	460	850	1330	317.0	316.0	308.0	365.0	383.0
600	400	16.0	14.0	550	530	920	1470	403.0	402.0	400.0	452.0	470.0
	500	16.0	15.0	550	530	920	1470	419.0	418.0	414.0	478.0	498.0
	600	16.0	16.0	550	530	920	1470	434.0	432.0	432.0	504.0	526.0
700	400	17.0	14.0	620	600	980	1600	528.0	526.0	526.0	589.0	640.0
	500	17.0	15.0	620	600	980	1600	543.0	542.0	540.0	614.0	668.0
	600	17.0	16.0	620	600	980	1600	557.0	555.0	558.0	640.0	695.0
800	700	17.0	17.0	620	600	980	1600	577.0	576.0	580.0	672.0	761.0
	500	18.0	15.0	690	670	1030	1720	692.0	690.0	688.0	780.0	870.0
	600	18.0	16.0	690	670	1030	1720	705.0	703.0	705.0	805.0	897.0
	700	18.0	17.0	690	670	1030	1720	724.0	722.0	726.0	836.0	962.0
	800	18.0	18.0	690	670	1030	1720	751.0	749.0	752.0	881.0	1040.0
900	600	19.0	16.0	600	690	940	1540	749.0	748.0	743.0	854.0	966.0
	700	19.0	17.0	770	750	1090	1860	907.0	905.0	902.0	1020.0	1170.0
	800	19.0	18.0	770	750	1090	1860	933.0	931.0	928.0	1070.0	1250.0
	900	19.0	19.0	770	750	1090	1860	966.0	964.0	954.0	1110.0	1310.0
1000	600	20.0	16.0	680	770	990	1670	930.0	926.0	925.0	1070.0	-
	800	20.0	18.0	840	820	1140	1980	1130.0	1120.0	1120.0	1290.0	-
	1000	20.0	20.0	840	820	1140	1980	1190.0	1180.0	1180.0	1400.0	-
1100	600	21.0	16.0	650	800	1000	1650	1050.0	1040.0	1050.0	1200.0	-
	800	21.0	18.0	740	830	1050	1790	1170.0	1160.0	1170.0	1340.0	-
	1100	21.0	21.0	910	890	1200	2110	1450.0	1440.0	1450.0	1680.0	-
1200	600	22.0	17.0	680	860	1000	1680	1210.0	1210.0	1220.0	1390.0	-
	900	22.0	19.0	810	910	1100	1910	1420.0	1420.0	1420.0	1640.0	-
	1200	22.0	22.0	970	950	1250	2220	1730.0	1720.0	1740.0	2010.0	-
1350	600	24.0	19.0	700	950	1000	1700	1510.0	1500.0	1520.0	1730.0	-
	900	24.0	19.0	860	1000	1150	2010	1790.0	1790.0	1800.0	2050.0	-
1500	*1350	24.0	24.0	1080	1050	1350	2430	2420.0	2410.0	2440.0	2790.0	-
	600	26.0	21.0	730	1050	1000	1730	1830.0	1830.0	1850.0	2100.0	-
	1000	26.0	21.0	920	1100	1200	2120	2250.0	2250.0	2270.0	2590.0	-
	*1500	26.0	26.0	1180	1150	1400	2580	3030.0	3030.0	3070.0	3490.0	-

備考：1. 標稱管徑欄有 * 符號之管，須附補強肋。
2. 附圖係表型式 2。

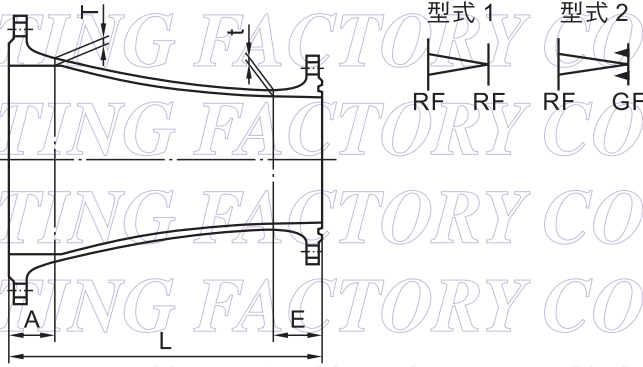


單位：mm

標稱管徑	管厚	外徑	各部尺度						質 量 (Kg)										
			D	T	D ₂	D ₅	K	a	L ₂	止水環 (止推環)	凸 緣 部								直部 1m
											7.5K		10K		16K		20K		
									RF型	GF型	RF型	GF型	RF型	GF型	RF型	GF型			
75	8.5	93.0	185	18	5	25	2.91	3.77	3.66	2.28	2.17	3.00	2.89	3.29	3.18	16.134			
100	8.5	118.0	210	18	5	25	3.46	4.55	4.40	2.75	2.61	3.98	3.84	4.33	4.18	20.907			
150	9.0	169.0	280	22	5	25	6.73	6.22	6.02	5.59	5.39	7.73	7.53	8.90	8.70	32.346			
200	11.0	220.0	330	22	5	25	8.22	8.06	7.80	6.75	6.49	9.89	9.63	11.20	11.00	51.641			
250	12.0	271.6	390	24	5	25	11.50	11.50	11.10	10.70	10.40	16.50	16.20	19.60	19.30	69.975			
300	12.5	322.8	445	24	5	25	13.70	14.20	13.80	11.40	11.00	19.70	19.30	23.10	22.70	87.126			
350	13.0	374.0	500	26	5	25	17.30	18.80	18.30	13.40	12.90	26.00	25.60	30.00	29.50	105.416			
400	14.0	425.6	560	28	5	25	22.30	21.80	21.30	19.40	18.90	36.00	35.50	42.80	42.30	129.437			
450	14.5	476.8	620	30	5	25	28.10	28.30	27.70	24.70	24.10	47.30	46.70	55.50	54.90	150.573			
500	15.0	528.0	675	30	5	25	31.60	32.00	31.40	28.30	27.60	56.30	55.70	65.40	64.80	172.848			
600	16.0	630.8	795	32	6	30	45.00	38.90	38.20	39.00	38.30	75.00	74.20	86.10	85.30	220.958			
700	17.0	733.0	905	34	7	35	58.20	49.90	49.10	52.10	51.30	98.20	97.40	143.00	142.00	273.412			
800	18.0	836.0	1020	36	8	40	75.50	66.10	65.10	67.70	66.70	132.00	131.00	213.00	212.00	330.736			
900	19.0	939.0	1130	38	9	45	93.40	85.30	84.30	80.30	79.20	156.00	155.00	256.00	255.00	392.643			
1000	20.0	1041.0	1235	40	10	50	111.00	101.00	98.20	100.00	97.20	207.00	204.00	-	-	458.682			
1100	21.0	1144.0	1345	42	11	55	134.00	120.00	116.00	122.00	119.00	237.00	234.00	-	-	529.730			
1200	22.0	1246.0	1465	44	12	60	168.00	140.00	136.00	152.00	148.00	287.00	283.00	-	-	604.867			
1350	24.0	1400.0	1630	48	14	70	220.00	181.00	177.00	194.00	190.00	369.00	365.00	-	-	741.798			
1500	26.0	1554.0	1795	52	16	80	281.00	216.00	212.00	239.00	235.00	451.00	446.00	-	-	892.386			
1600	27.5	1650.0	-	-	-	-	275.00	264.00	264.00	295.00	284.00	-	-	-	-	1002.244			
1650	28.0	1701.0	-	-	-	-	286.00	275.00	275.00	308.00	296.00	-	-	-	-	1052.228			
1800	30.0	1848.0	-	-	-	-	318.00	306.00	306.00	358.00	345.00	-	-	-	-	1225.099			
2000	32.0	2061.0	-	-	-	-	360.00	346.00	346.00	421.00	408.00	-	-	-	-	1458.438			
2100	33.0	2164.0	-	-	-	-	386.00	372.00	372.00	461.00	447.00	-	-	-	-	1579.622			
2200	34.0	2280.0	-	-	-	-	424.00	409.00	409.00	494.00	479.00	-	-	-	-	1715.318			
2400	36.0	2458.0	-	-	-	-	538.00	522.00	522.00	651.00	634.00	-	-	-	-	1958.540			
2600	37.5	2684.0	-	-	-	-	549.00	525.00	525.00	683.00	659.00	-	-	-	-	2229.252			

備者：L、L₁ 長度可由客戶指定。

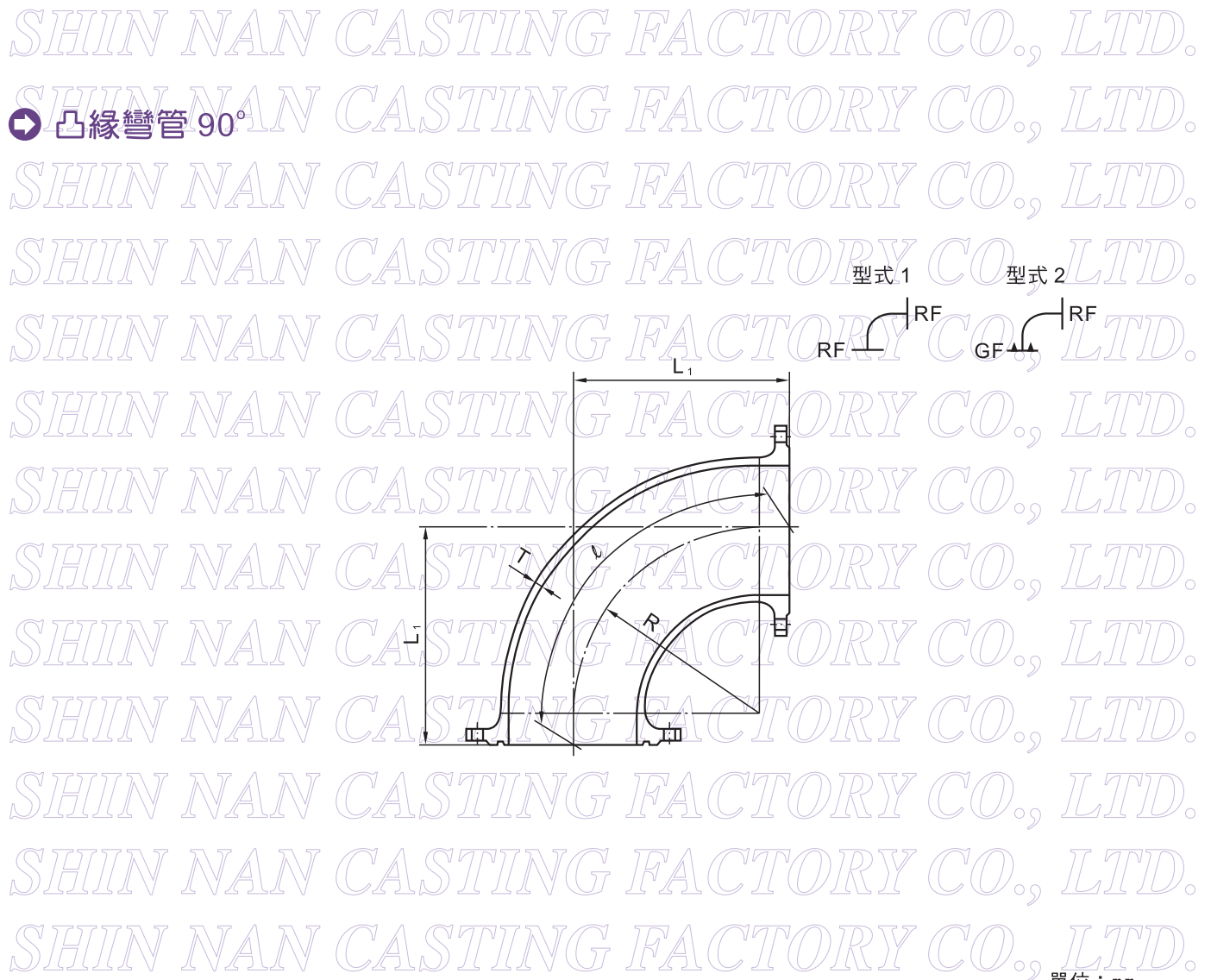
凸緣縮管



單位：mm

標稱管徑		管厚		各部尺度			質量 (Kg)				
D	d	T	t	A	E	L	型式 1		型式 2		
							7.5K	7.5K	10K	16K	20K
100	75	8.5	8.5	50	50	400	15.5	15.4	12.1	14.1	14.7
150	100	9.0	8.5	55	50	405	21.1	21.0	18.5	21.9	23.4
200	100	11.0	10.0	60	50	410	27.3	27.2	24.1	28.5	30.1
	150	11.0	11.0	60	55	415	32.6	32.4	30.5	35.7	38.2
250	100	12.0	10.0	70	50	520	38.7	38.6	36.0	43.0	46.4
	150	12.0	11.0	70	55	525	45.0	44.8	43.4	51.3	55.6
300	200	12.0	11.0	70	60	530	51.0	50.8	48.7	57.6	62.1
	100	12.5	10.0	80	50	530	46.5	46.3	41.7	51.3	55.0
150	12.5	11.0	80	55	535	52.7	52.5	49.1	59.5	64.1	
	200	12.5	11.0	80	60	540	58.5	58.3	54.2	65.6	70.4
350	250	12.5	12.0	80	70	550	68.2	67.8	64.3	78.4	84.9
	150	13.0	11.0	80	55	535	62.2	62.0	55.9	70.7	75.8
200	13.0	11.0	80	60	540	67.8	67.6	60.8	76.6	82.0	
	250	13.0	12.0	80	70	550	77.3	76.9	70.8	89.2	96.3
400	300	13.0	12.5	80	80	560	86.1	85.7	77.5	98.4	106.0
	150	14.0	11.0	90	55	645	79.4	79.2	76.2	94.9	103.0
200	14.0	11.0	90	60	650	86.0	85.7	82.0	102.0	110.0	
	250	14.0	12.0	90	70	660	96.7	96.3	93.2	116.0	125.0
300	14.0	12.5	90	80	670	107.0	106.0	101.0	126.0	136.0	
	350	14.0	13.0	90	80	670	118.0	118.0	110.0	139.0	150.0
450	200	14.5	11.0	100	60	660	101.0	101.0	95.7	121.0	131.0
	250	14.5	12.0	100	70	670	111.0	111.0	107.0	135.0	146.0
300	14.5	12.5	100	80	680	121.0	121.0	114.0	145.0	157.0	
	350	14.5	13.0	100	80	680	132.0	132.0	123.0	158.0	170.0
500	400	14.5	14.0	100	90	690	146.0	145.0	139.0	178.0	193.0
	250	15.0	12.0	110	70	680	125.0	124.0	120.0	154.0	166.0
300	15.0	12.5	110	80	690	134.0	134.0	127.0	163.0	176.0	
	350	15.0	13.0	110	80	690	145.0	145.0	135.0	176.0	189.0
400	15.0	14.0	110	90	700	158.0	157.0	151.0	196.0	212.0	
	450	15.0	14.5	110	100	710	174.0	173.0	166.0	217.0	234.0
600	300	16.0	12.5	120	80	700	162.0	161.0	159.0	203.0	218.0
	350	16.0	13.0	120	80	700	172.0	172.0	166.0	215.0	230.0
400	16.0	14.0	120	90	710	184.0	184.0	181.0	234.0	252.0	
	450	16.0	14.5	120	100	720	199.0	199.0	195.0	254.0	273.0
500	16.0	15.0	120	110	730	213.0	212.0	209.0	273.0	293.0	
	400	17.0	14.0	130	90	920	253.0	252.0	252.0	315.0	366.0
450	17.0	14.5	130	100	930	271.0	270.0	269.0	337.0	390.0	
	500	17.0	15.0	130	110	940	287.0	286.0	285.0	359.0	413.0
600	17.0	16.0	130	120	950	320.0	320.0	322.0	404.0	460.0	
	450	18.0	14.5	140	100	940	319.0	318.0	316.0	403.0	492.0
500	18.0	15.0	140	110	950	334.0	333.0	331.0	423.0	514.0	
	600	18.0	16.0	140	120	960	366.0	365.0	367.0	467.0	559.0
700	18.0	17.0	140	130	970	406.0	405.0	409.0	519.0	645.0	
	500	19.0	15.0	150	110	960	391.0	390.0	381.0	485.0	594.0
600	19.0	16.0	150	120	970	420.0	419.0	415.0	526.0	637.0	
	700	19.0	17.0	150	130	980	458.0	457.0	454.0	576.0	721.0
800	19.0	18.0	150	140	990	506.0	505.0	502.0	642.0	823.0	
	600	20.0	16.0	170	120	990	483.0	483.0	482.0	625.0	-
700	20.0	17.0	170	130	1000	518.0	518.0	519.0	672.0	-	
	800	20.0	18.0	170	140	1010	564.0	563.0	563.0	735.0	-
900	20.0	19.0	170	150	1020	618.0	617.0	611.0	793.0	-	
	700	21.0	17.0	180	130	1110	619.0	619.0	623.0	784.0	-
800	21.0	18.0	180	140	1120	667.0	666.0	669.0	849.0	-	
	900	21.0	19.0	180	150	1130	722.0	721.0	718.0	909.0	-
1000	1000	21.0	20.0	180	170	1150	785.0	782.0	783.0	1010.0	-
	800	22.0	18.0	190	140	1130	743.0	742.0	755.0	954.0	-
900	22.0	19.0	190	150	1140	795.0	794.0	801.0	1010.0	-	
	1000	22.0	20.0	190	170	1160	854.0	851.0	862.0	1100.0	-
1100	1100	22.0	21.0	190	180	1170	920.0	916.0	931.0	1180.0	-
	900	24.0	19.0	210	150	1160	947.0	946.0	954.0	1200.0	-
1000	24.0	20.0	210	170	1180	999.0	997.0	1010.0	1290.0	-	
	1100	24.0	21.0	210	180	1190	1060.0	1050.0	1070.0	1360.0	-
1200	1200	24.0	22.0	210	190	1200	1130.0	1120.0	1150.0	1460.0	-
	1000	26.0	21.0	230	170	1200	1180.0	1180.0	1200.0	1520.0	-
1100	26.0	21.0	230	180	1210	1220.0	1220.0	1240.0	1570.0	-	
	1200	26.0	22.0	230	190	1220	1280.0	1280.0	1310.0	1660.0	-
1350	26.0	24.0	230	210	1240	1410.0	1400.0	1440.0	1830.0	-	

備考：附圖係表型式 2。

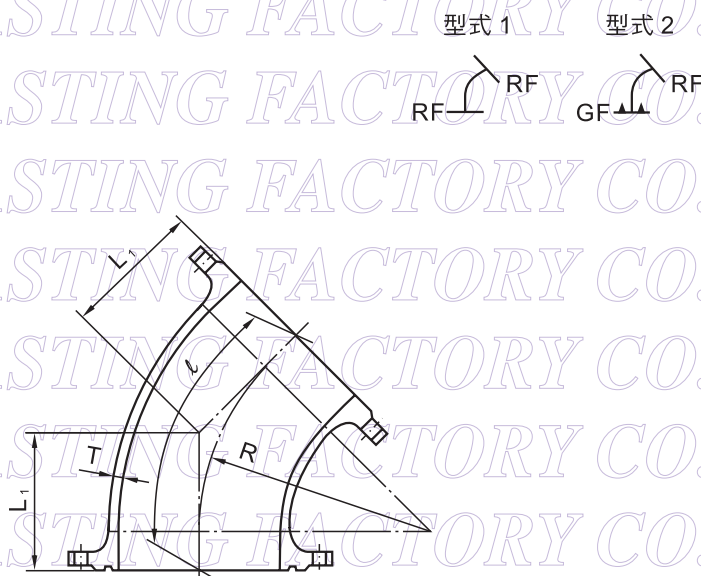


單位：mm

標稱管徑 D	管厚 T	各部尺度 R	各部尺度			管心長			質 量 (Kg)				
			L ₁			l			型式 1		型 式 2		
			7.5K	10K-16K	20K	7.5K	10K-16K	20K	7.5K	7.5K	10K	16K	20K
75	8.5	250	297	295	295	487	483	483	15.4	15.3	12.2	13.7	14.3
100	8.5	250	297	295	295	487	483	483	19.3	19.1	15.5	17.9	18.6
150	9.0	300	348	350	350	567	571	571	30.8	30.6	29.5	33.7	36.1
200	11.0	400	449	455	455	726	738	738	53.6	53.4	51.4	57.6	60.3
250	12.0	400	450	460	460	728	748	748	74.0	73.6	73.5	85.1	91.3
300	12.5	550	607	615	615	978	994	994	114.0	113.0	109.0	126.0	132.0
350	13.0	550	608	620	620	980	1004	1004	141.0	140.0	132.0	157.0	165.0
400	14.0	600	659	675	675	1060	1092	1092	181.0	180.0	180.0	213.0	227.0
450	14.5	600	660	680	680	1062	1102	1102	217.0	216.0	215.0	260.0	276.0
500	15.0	700	761	785	785	1222	1270	1270	275.0	275.0	275.0	331.0	350.0
600	16.0	800	862	895	895	1381	1447	1447	383.0	382.0	397.0	469.0	491.0
700	17.0	900	963	1005	1020	1540	1624	1654	521.0	520.0	547.0	640.0	737.0
800	18.0	1000	1115	1115	1135	1801	1801	1841	728.0	727.0	730.0	859.0	1030.0
900	19.0	1100	1225	1225	1250	1978	1978	2028	947.0	946.0	936.0	1090.0	1310.0
1000	20.0	1150	1285	1285	-	2076	2076	-	1150.0	1150.0	1150.0	1360.0	-
1100	21.0	1200	1345	1345	-	2175	2175	-	1390.0	1390.0	1390.0	1620.0	-
1200	22.0	1200	1355	1355	-	2195	2195	-	1610.0	1600.0	1630.0	1900.0	-
1350	24.0	1200	1370	1370	-	2225	2225	-	2010.0	2010.0	2030.0	2380.0	-
1500	26.0	1200	1385	1385	-	2255	2255	-	2440.0	2440.0	2490.0	2910.0	-

備考：附圖係表型式 2。

凸緣彎管 45°



單位：mm

標稱管徑 D	管厚 T	各部尺度 R	各部尺度 L ₁			管心長 l			質 量 (Kg)				
			7.5K	10K-16K	20K	7.5K	10K-16K	20K	型式 1		型 式 2		
									7.5K	7.5K	10K	16K	20K
75	8.5	400	213	210	210	409	403	403	14.1	14.0	10.9	12.4	13.0
100	8.5	400	213	210	210	409	403	403	17.6	17.5	13.8	16.2	16.9
150	9.0	500	255	260	260	488	498	498	28.2	28.0	27.1	31.4	33.7
200	11.0	600	298	305	305	570	584	584	45.6	45.3	43.4	49.7	52.4
250	12.0	600	298	310	310	570	594	594	62.9	62.5	62.7	74.3	80.5
300	12.5	700	347	355	355	664	680	680	86.2	85.8	81.6	98.2	105.0
350	13.0	800	389	405	405	744	776	776	116.0	115.0	108.0	133.0	141.0
400	14.0	900	432	450	450	825	861	861	150.0	150.0	150.0	183.0	197.0
450	14.5	1000	474	495	495	905	947	947	193.0	192.0	191.0	237.0	253.0
500	15.0	1100	517	545	545	987	1043	1043	235.0	234.0	236.0	292.0	310.0
600	16.0	1300	601	635	635	1146	1214	1214	331.0	330.0	346.0	417.0	440.0
700	17.0	1500	730	730	745	1395	1395	1425	481.0	481.0	485.0	577.0	675.0
800	18.0	1700	820	820	840	1567	1567	1607	650.0	649.0	653.0	781.0	956.0
900	19.0	1900	915	915	940	1748	1748	1798	857.0	856.0	846.0	997.0	1220.0
1000	20.0	2100	1005	1005	-	1920	1920	-	1080.0	1080.0	1080.0	1290.0	-
1100	21.0	2300	1100	1100	-	2101	2101	-	1350.0	1350.0	1350.0	1580.0	-
1200	22.0	2300	1110	1110	-	2121	2121	-	1560.0	1560.0	1580.0	1850.0	-
1350	24.0	2300	1125	1125	-	2151	2151	-	1960.0	1950.0	1980.0	2330.0	-
1500	26.0	2300	1140	1140	-	2181	2181	-	2380.0	2370.0	2420.0	2840.0	-

備考：附圖係表型式 2。

SHIN NAN CASTING FACTORY CO., LTD.

SHIN NAN CASTING FACTORY CO., LTD.

SHIN NAN CASTING FACTORY CO., LTD.

SHIN NAN CASTING FACTORY CO., LTD.

SHIN NAN CASTING FACTORY CO., LTD.

SHIN NAN CASTING FACTORY CO., LTD.

SHIN NAN CASTING FACTORY CO., LTD.

SHIN NAN CASTING FACTORY CO., LTD.

SHIN NAN CASTING FACTORY CO., LTD.

SHIN NAN CASTING FACTORY CO., LTD.

SHIN NAN CASTING FACTORY CO., LTD.

SHIN NAN CASTING FACTORY CO., LTD.

SHIN NAN CASTING FACTORY CO., LTD.

SHIN NAN CASTING FACTORY CO., LTD.

SHIN NAN CASTING FACTORY CO., LTD.

SHIN NAN CASTING FACTORY CO., LTD.

SHIN NAN CASTING FACTORY CO., LTD.

SHIN NAN CASTING FACTORY CO., LTD.

SHIN NAN CASTING FACTORY CO., LTD.

SHIN NAN CASTING FACTORY CO., LTD.

SHIN NAN CASTING FACTORY CO., LTD.

SHIN NAN CASTING FACTORY CO., LTD.

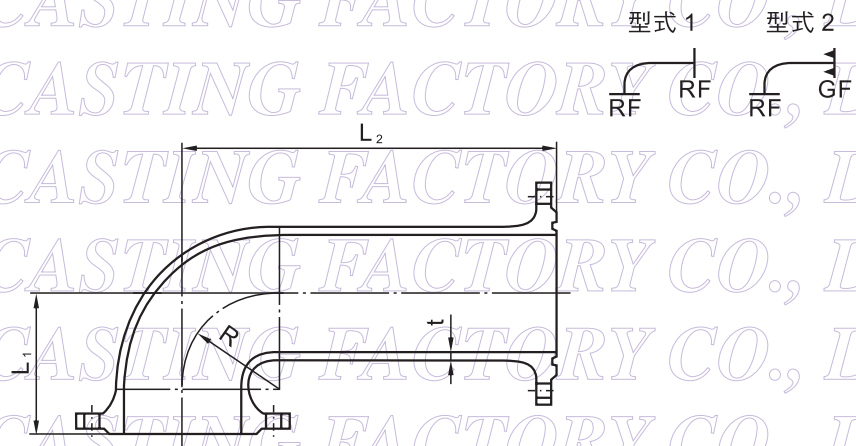
SHIN NAN CASTING FACTORY CO., LTD.

SHIN NAN CASTING FACTORY CO., LTD.

SHIN NAN CASTING FACTORY CO., LTD.

SHIN NAN CASTING FACTORY CO., LTD.

制水閥副管 B 1 號 (7.5K · 10K用)

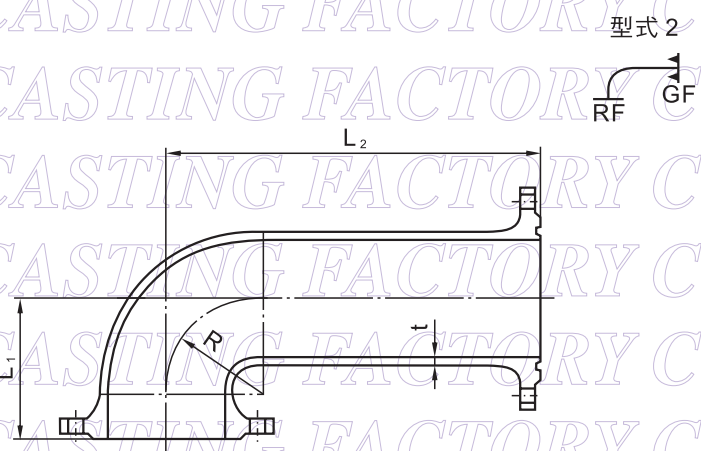


單位：mm

標稱管徑		管厚	各部尺度				質 量 (Kg)		
D	d	T	R	L ₁		L ₂	型 式 2		
				7.5K	10K		7.5K	10K	
400	100	8.5	200 (110)	250 (165)	250 (165)	340 (265)	19.6 -	19.5 (17.0)	15.9 (13.4)
450	100	8.5	200 (110)	250 (165)	250 (165)	365 (285)	20.1 -	20.0 (17.4)	16.4 (13.8)
500	100	8.5	200	250	250	390	20.7	20.5	16.9
600	100	8.5	200	250	250	435	21.6	21.5	17.9
700	150	9.0	200	250	250	475	33.1	32.9	31.7
800	150	9.0	200	250	250	535	35.1	34.9	33.6
900	200	11.0	250	310	310	590	57.1	56.8	54.2
1000	200	11.0	250	310	310	635	59.4	59.1	56.5
1100	200	11.0	250	310	310	670	61.2	60.9	58.3
1200	250	12.0	250	310	310	680	84.8	84.4	82.9
1350	250	12.0	250	310	310	725	87.9	87.5	86.0
1500	300	12.5	250	310	315	780	114.0	114.0	108.0
1600	300	12.5	250	310	315	790	115.0	114.0	109.0
1650	300	12.5	250	310	315	790	115.0	114.0	109.0
1800	350	13.0	300	370	370	815	149.0	148.0	138.0
2000	350	13.0	300	370	370	825	150.0	149.0	139.0
2100	400	14.0	300	370	375	835	183.0	182.0	178.0
2200	400	14.0	300	370	375	845	184.0	184.0	180.0
2400	450	14.5	350	420	430	870	228.0	228.0	222.0
2600	500	15.0	335	420	430	895	266.0	266.0	260.0

備考：1. 標稱管徑1600~2600 mm者，制水閥（主閥）面間距離以900 mm算出。
 2. () 內表示SII型之尺度及質量。
 3. 附圖係表型式 2。

制水閥副管 B 1號 (16K・20K用)



單位：mm

標稱管徑		管厚 T	主閥－蝶閥、副閥－制水閥					主閥及副閥－制水閥				
D	d		各部尺度			質量 (Kg)		各部尺度			質量 (Kg)	
			R	L ₁	L ₂	型式 2		R	L ₁	L ₂	型式 2	
					16K	20K				16K	20K	
400	100	8.5	200	250	315	17.8	18.5	200	250	380	19.2	19.9
			(110)	(165)	(240)	(15.3)	(16.0)	(110)	(165)	(305)	(16.7)	(17.3)
450	100	8.5	200	250	340	18.4	19.1	200	250	415	19.9	20.6
			(110)	(185)	(260)	(16.1)	(16.8)	(110)	(185)	(335)	(17.7)	(18.4)
500	100	8.5	200	250	365	18.9	19.6	200	250	450	20.7	21.4
600	100	8.5	200	250	410	19.8	20.5	200	250	530	22.3	23.0
700	150	9.0	250	300	440	35.7	38.1	250	300	585	40.4	42.8
800	150	9.0	250	300	500	37.7	40.0	250	300	655	42.7	45.0
900	200	11.0	300	360	540	59.3	62.0	300	360	720	68.6	71.3
1000	200	11.0	300	360	585	61.7	-	-	-	-	-	-
1100	200	11.0	300	360	620	63.5	-	-	-	-	-	-
1200	250	12.0	300	360	645	94.0	-	-	-	-	-	-
1350	250	12.0	300	360	690	97.2	-	-	-	-	-	-
1500	300	12.5	300	365	730	123.0	-	-	-	-	-	-

備考：() 內表示SII型之尺度及質量。

SHIN NAN CASTING FACTORY CO., LTD.

SHIN NAN CASTING FACTORY CO., LTD.

SHIN NAN CASTING FACTORY CO., LTD.

SHIN NAN CASTING FACTORY CO., LTD.

SHIN NAN CASTING FACTORY CO., LTD.

SHIN NAN CASTING FACTORY CO., LTD.

SHIN NAN CASTING FACTORY CO., LTD.

SHIN NAN CASTING FACTORY CO., LTD.

SHIN NAN CASTING FACTORY CO., LTD.

SHIN NAN CASTING FACTORY CO., LTD.

SHIN NAN CASTING FACTORY CO., LTD.

SHIN NAN CASTING FACTORY CO., LTD.

SHIN NAN CASTING FACTORY CO., LTD.

SHIN NAN CASTING FACTORY CO., LTD.

SHIN NAN CASTING FACTORY CO., LTD.

SHIN NAN CASTING FACTORY CO., LTD.

SHIN NAN CASTING FACTORY CO., LTD.

SHIN NAN CASTING FACTORY CO., LTD.

SHIN NAN CASTING FACTORY CO., LTD.

SHIN NAN CASTING FACTORY CO., LTD.

SHIN NAN CASTING FACTORY CO., LTD.

SHIN NAN CASTING FACTORY CO., LTD.

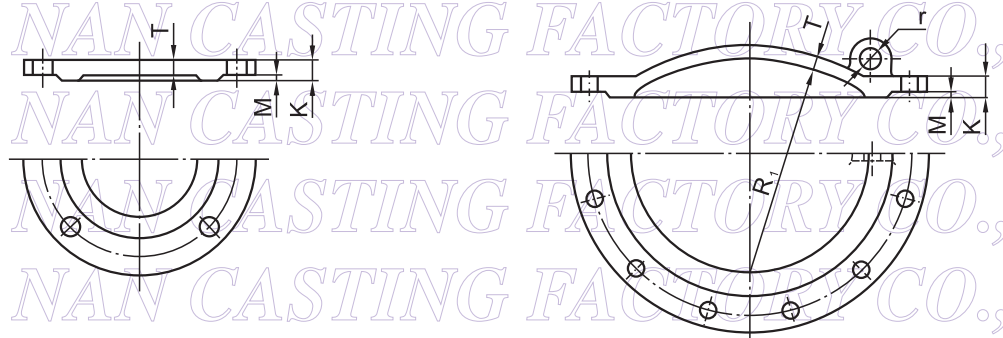
SHIN NAN CASTING FACTORY CO., LTD.

SHIN NAN CASTING FACTORY CO., LTD.

SHIN NAN CASTING FACTORY CO., LTD.

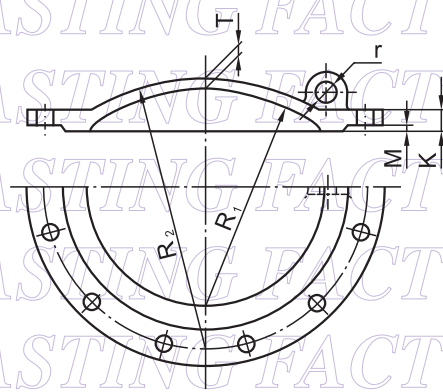
盲蓋 (型式 1)

型式 1



■ 標稱管徑 75 · 100 mm

■ 標稱管徑 150 ~ 1500 mm (7.5K · 10K用)



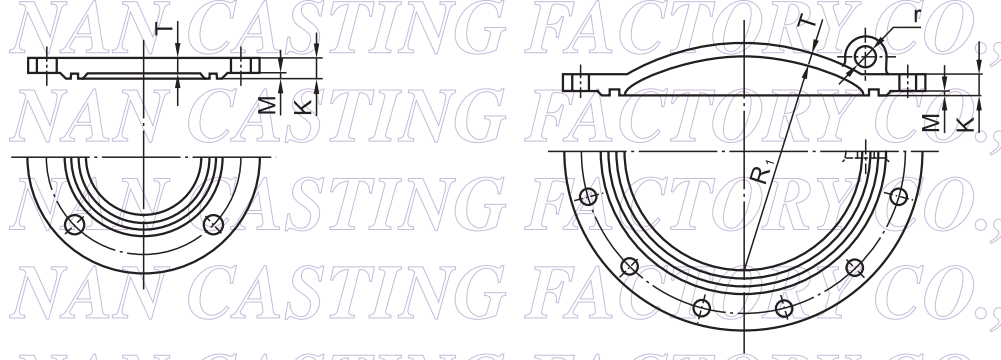
■ 標稱管徑 150 ~ 1500 mm (16K · 20K用)

單位: mm

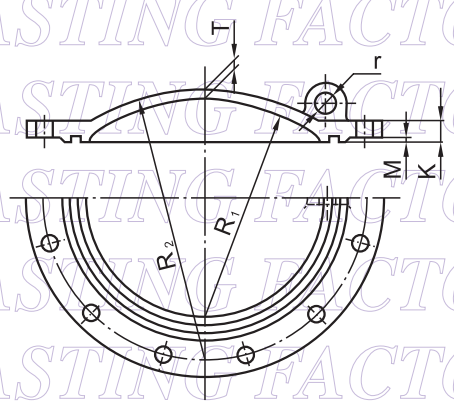
標稱管徑	各 部 尺 寸												質 量 (Kg)							
	D	R ₁	R ₂	r	7.5K			10K			16K			20K			型 式 1			
					T	K	M	T	K	M	T	K	M	T	K	M	7.5K	10K	16K	20K
75	-	-	-	-	18.0	21	3	16.0	18	2	18	20	2	20	22	2	4.53	2.93	3.75	4.15
100	-	-	-	-	18.0	21	3	16.0	18	2	20	22	2	22	24	2	5.81	3.85	5.39	5.91
150	150	250	-	-	9.0	22	3	9.0	22	2	9	24	2	9	28	2	8.22	7.61	9.87	11.50
200	200	300	-	-	11.0	23	3	11.0	22	2	11	26	2	11	30	2	11.90	10.40	14.10	16.00
250	250	350	-	-	12.0	24	3	12.0	24	2	14	28	2	14	34	2	17.70	16.80	24.00	28.00
300	300	400	30	-	12.5	25	3	12.5	24	3	16	30	3	16	36	3	23.50	20.30	31.80	36.40
350	350	450	30	-	13.0	26	3	13.0	26	3	18	34	3	18	40	3	31.50	25.80	44.20	49.70
400	400	500	35	-	14.0	27	3	14.0	28	3	20	38	3	20	46	3	39.30	36.40	62.20	71.60
450	450	550	35	-	14.5	28	3	14.5	30	3	23	40	3	23	48	3	51.50	47.20	83.70	94.80
500	500	600	35	-	15.0	30	4	15.0	30	3	25	42	3	25	50	3	62.50	56.30	104.00	116.00
600	600	700	35	-	17.0	32	4	17.0	32	3	29	46	3	29	54	3	87.60	82.70	152.00	166.00
700	700	800	40	-	19.0	34	4	19.0	34	3	34	50	5	34	64	5	123.00	116.00	216.00	268.00
800	800	900	40	-	22.0	36	4	22.0	36	3	38	54	5	38	72	5	167.00	162.00	301.00	394.00
900	900	1000	40	-	24.0	38	4	24.0	38	3	43	58	5	43	76	5	224.00	208.00	393.00	505.00
1000	1000	1100	45	-	27.0	40	4	27.0	40	3	47	62	5	-	-	-	290.00	276.00	524.00	-
1100	1100	1200	45	-	29.0	42	4	29.0	42	3	51	66	5	-	-	-	361.00	348.00	648.00	-
1200	1200	1300	45	-	32.0	44	4	32.0	44	3	56	70	5	-	-	-	449.00	445.00	816.00	-
1350	1350	1450	50	-	35.0	48	4	35.0	48	3	62	76	5	-	-	-	609.00	595.00	1120.00	-
1500	1500	1600	50	-	39.0	50	5	39.0	50	3	70	80	5	-	-	-	791.00	785.00	1460.00	-

盲蓋 (型式 2)

型式 2
GF



■ 標稱管徑 75 · 100 mm ■ 標稱管徑 150 ~ 1500 mm (7.5K · 10K用)



■ 標稱管徑 150 ~ 1500 mm (16K · 20K用)

單位: mm

標稱管徑 D	各 部 尺 度												質 量 (Kg)						
	R ₁	R ₂	r	7.5K			10K			16K			20K			型 式 2			
				T	K	M	T	K	M	T	K	M	T	K	M	7.5K	10K	16K	20K
75	-	-	-	18.0	21	3	16.0	18	2	18	20	2	20	22	2	4.41	2.82	3.64	4.04
100	-	-	-	18.0	21	3	16.0	18	2	20	22	2	22	24	2	5.66	3.71	5.25	5.77
150	150	250	-	9.0	22	3	9.0	22	2	9	24	2	9	28	2	8.02	7.41	9.67	11.30
200	200	300	-	11.0	23	3	11.0	22	2	11	26	2	11	30	2	11.60	10.20	13.80	15.70
250	250	350	-	12.0	24	3	12.0	24	2	14	28	2	14	34	2	17.30	16.40	23.70	27.70
300	300	400	30	12.5	25	3	12.5	24	3	16	30	3	16	36	3	23.10	19.90	31.50	36.00
350	350	450	30	13.0	26	3	13.0	26	3	18	34	3	18	40	3	31.10	25.30	43.80	49.20
400	400	500	35	14.0	27	3	14.0	28	3	20	38	3	20	46	3	38.80	35.90	61.70	71.10
450	450	550	35	14.5	28	3	14.5	30	3	23	40	3	23	48	3	50.90	46.70	83.10	94.30
500	500	600	35	15.0	30	4	15.0	30	3	25	42	3	25	50	3	61.90	55.70	103.00	116.00
600	600	700	35	17.0	32	4	17.0	32	3	29	46	3	29	54	3	86.90	82.00	151.00	166.00
700	700	800	40	19.0	34	4	19.0	34	3	34	50	5	34	64	5	123.00	115.00	216.00	267.00
800	800	900	40	22.0	36	4	22.0	36	3	38	54	5	38	72	5	166.00	161.00	300.00	393.00
900	900	1000	40	24.0	38	4	24.0	38	3	43	58	5	43	76	5	222.00	207.00	391.00	504.00
1000	1000	1100	45	27.0	40	4	27.0	40	3	47	62	5	-	-	-	287.00	273.00	521.00	-
1100	1100	1200	45	29.0	42	4	29.0	42	3	51	66	5	-	-	-	357.00	344.00	645.00	-
1200	1200	1300	45	32.0	44	4	32.0	44	3	56	70	5	-	-	-	445.00	441.00	812.00	-
1350	1350	1450	50	35.0	48	4	35.0	48	3	62	76	5	-	-	-	605.00	591.00	1110.00	-
1500	1500	1600	50	39.0	50	5	39.0	50	3	70	80	5	-	-	-	786.00	780.00	1450.00	-

SHIN NAN CASTING FACTORY CO., LTD.

SHIN NAN CASTING FACTORY CO., LTD.

SHIN NAN CASTING FACTORY CO., LTD.

SHIN NAN CASTING FACTORY CO., LTD.

SHIN NAN CASTING FACTORY CO., LTD.

SHIN NAN CASTING FACTORY CO., LTD.

SHIN NAN CASTING FACTORY CO., LTD.

SHIN NAN CASTING FACTORY CO., LTD.

SHIN NAN CASTING FACTORY CO., LTD.

SHIN NAN CASTING FACTORY CO., LTD.

SHIN NAN CASTING FACTORY CO., LTD.

SHIN NAN CASTING FACTORY CO., LTD.

SHIN NAN CASTING FACTORY CO., LTD.

SHIN NAN CASTING FACTORY CO., LTD.

SHIN NAN CASTING FACTORY CO., LTD.

SHIN NAN CASTING FACTORY CO., LTD.

SHIN NAN CASTING FACTORY CO., LTD.

SHIN NAN CASTING FACTORY CO., LTD.

SHIN NAN CASTING FACTORY CO., LTD.

SHIN NAN CASTING FACTORY CO., LTD.

SHIN NAN CASTING FACTORY CO., LTD.

SHIN NAN CASTING FACTORY CO., LTD.

SHIN NAN CASTING FACTORY CO., LTD.

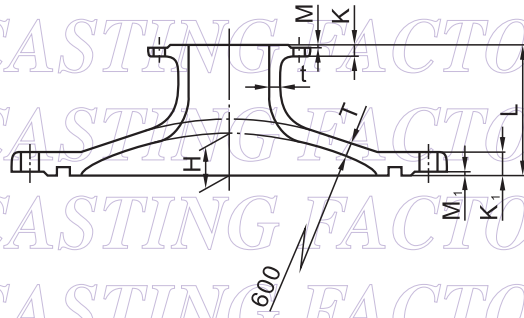
SHIN NAN CASTING FACTORY CO., LTD.

SHIN NAN CASTING FACTORY CO., LTD.

SHIN NAN CASTING FACTORY CO., LTD.

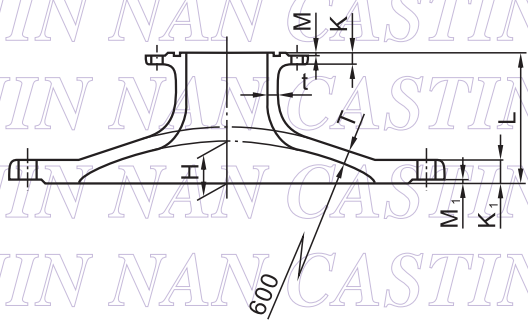
人孔蓋

型式 1

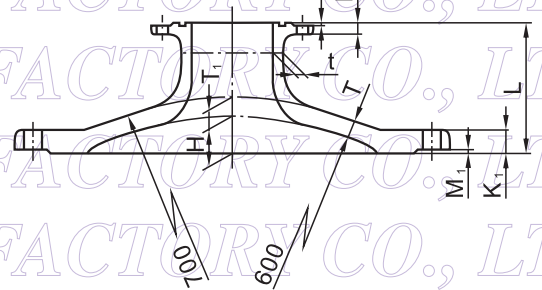


■ 7.5K 用

型式 2



■ 7.5K · 10K 用

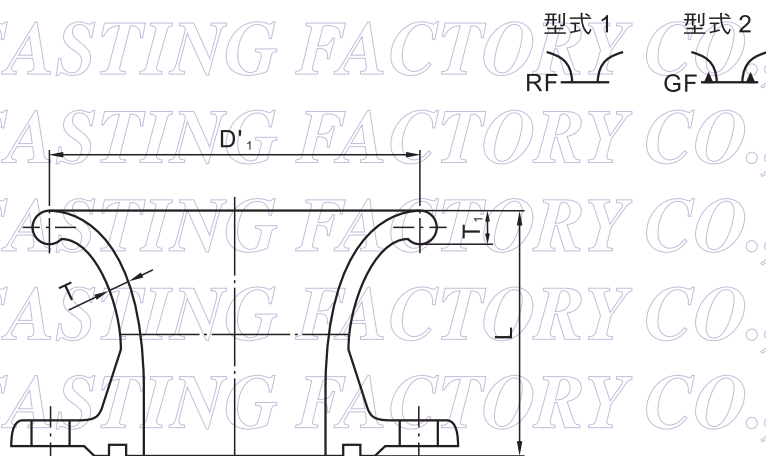


■ 16K · 20K 用

單位：mm

標稱管徑		管 厚			各 部 尺 寸																質 量 (Kg)						
D	d	T	T ₁	t	H	L	7.5K				10K				16K				20K				型式1		型 式 2		
							K	M	K ₁	M ₁	K	M	K ₁	M ₁	K	M	K ₁	M ₁	K	M	K ₁	M ₁	K	M	K ₁	M ₁	7.5K
600	75	24	38	17	81.5	240	21	3	45	4	18	2	45	3	20	2	46	3	22	2	54	3	129	129	120	174	188
600	100	24	38	17	81.5	240	21	3	45	4	18	2	45	3	22	2	46	3	24	2	54	3	130	131	121	175	189
600	150	24	38	17	81.5	240	22	3	45	4	22	2	45	3	24	2	46	3	28	2	54	3	132	132	124	177	192
600	200	24	38	17	81.5	240	23	3	45	4	22	2	45	3	26	2	46	3	30	2	54	3	133	134	125	177	192

喇叭管



單位：mm

標稱管徑 D	管厚 T	各部 T ₁	各部 尺度						質 量 (Kg)				
			D'			L			型式 1		型 式 2		
			7.5K	10K	20K	7.5K	10K	20K	7.5K	7.5K	10K	16K	20K
75	8.5	11	110	145	80	130	5.25	5.14	4.83	5.55	5.84		
100	8.5	11	150	175	90	135	6.80	6.65	6.12	7.35	7.69		
150	9.0	12	230	230	106	150	10.60	10.40	11.20	13.30	14.50		
200	11.0	14	300	290	125	170	16.50	16.20	16.90	20.00	21.40		
250	12.0	15	375	345	145	185	24.90	24.50	25.50	31.30	34.40		
300	12.5	16	450	405	170	205	34.00	33.60	31.70	40.00	43.40		
350	13.0	16	530	460	190	220	46.00	45.50	39.50	52.20	56.10		
400	14.0	17	600	520	210	240	58.60	58.10	54.40	71.00	77.80		
450	14.5	18	680	575	240	255	77.50	76.90	67.70	90.30	98.50		
500	15.0	19	750	635	260	275	93.00	92.40	81.60	110.00	119.00		
600	16.0	20	900	750	310	310	132.00	131.00	116.00	151.00	163.00		
700	17.0	21	1050	865	340	345	178.00	177.00	157.00	203.00	248.00		
800	18.0	22	980	980	380	380	206.00	205.00	207.00	271.00	352.00		
900	19.0	23	1095	1095	415	415	267.00	266.00	261.00	336.00	436.00		
1000	20.0	25	1210	1210	450	450	331.00	328.00	327.00	434.00	-		
1100	21.0	26	1325	1325	485	485	405.00	401.00	404.00	519.00	-		
1200	22.0	28	1440	1440	520	520	489.00	485.00	497.00	632.00	-		
1350	24.0	30	1610	1610	570	570	649.00	645.00	658.00	833.00	-		
1500	26.0	33	1785	1785	625	625	833.00	829.00	852.00	1060.00	-		

備考：附圖係表型式 2。

SHIN NAN CASTING FACTORY CO., LTD.

SHIN NAN CASTING FACTORY CO., LTD.

SHIN NAN CASTING FACTORY CO., LTD.

SHIN NAN CASTING FACTORY CO., LTD.

SHIN NAN CASTING FACTORY CO., LTD.

SHIN NAN CASTING FACTORY CO., LTD.

SHIN NAN CASTING FACTORY CO., LTD.

SHIN NAN CASTING FACTORY CO., LTD.

SHIN NAN CASTING FACTORY CO., LTD.

SHIN NAN CASTING FACTORY CO., LTD.

SHIN NAN CASTING FACTORY CO., LTD.

SHIN NAN CASTING FACTORY CO., LTD.

SHIN NAN CASTING FACTORY CO., LTD.

SHIN NAN CASTING FACTORY CO., LTD.

SHIN NAN CASTING FACTORY CO., LTD.

SHIN NAN CASTING FACTORY CO., LTD.

SHIN NAN CASTING FACTORY CO., LTD.

SHIN NAN CASTING FACTORY CO., LTD.

SHIN NAN CASTING FACTORY CO., LTD.

SHIN NAN CASTING FACTORY CO., LTD.

SHIN NAN CASTING FACTORY CO., LTD.

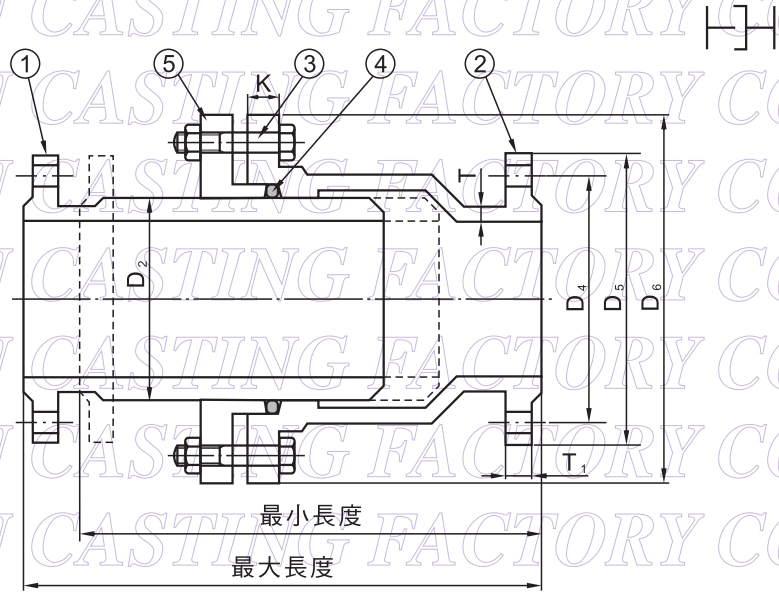
SHIN NAN CASTING FACTORY CO., LTD.

SHIN NAN CASTING FACTORY CO., LTD.

SHIN NAN CASTING FACTORY CO., LTD.

SHIN NAN CASTING FACTORY CO., LTD.

伸縮管



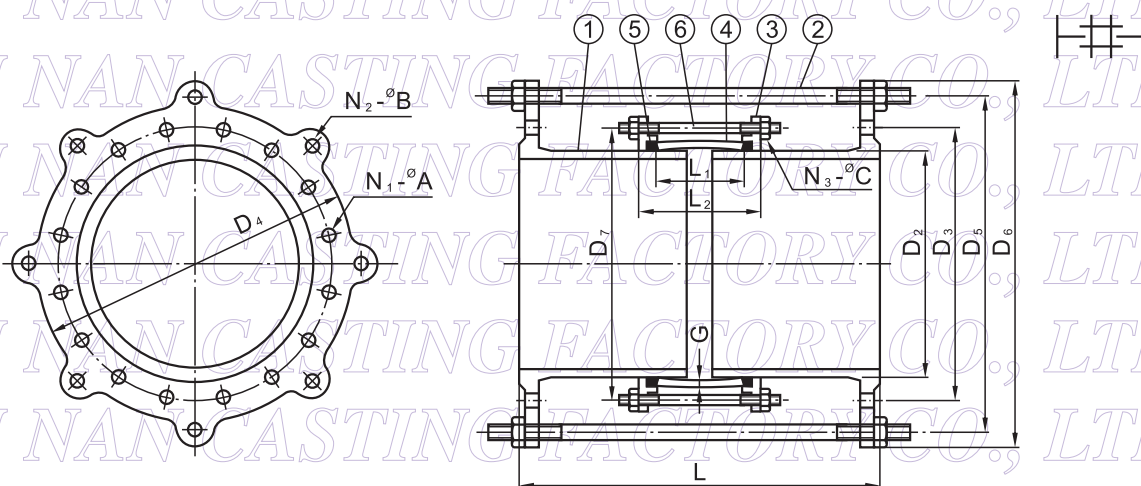
件號	名稱	材質	數量	備註
1	伸縮管A	FCD 400	1	
2	伸縮管B	FCD 400	1	
3	螺 栓	SUS 304	2組以上	附螺帽及華司
4	橡 膠 圈	NBR	1	
5	壓 圈	FCD 400	1	

單位：mm

標稱管徑	管厚	外徑	各部尺度					螺栓孔數	最大長度	最小長度
			T ₁	D ₄	D ₅	D ₆	K			
50	8.5	67.0	16	143	186	224	19	4	340	280
75	8.5	93.0	18	168	211	249	21	4	350	290
100	8.5	118.0	18	195	238	284	21	4	400	330
150	9.0	169.0	19	247	290	336	22	6	485	395
200	11.0	220.0	20	299	342	388	23	8	515	425
250	12.0	271.6	21	360	410	456	24	8	560	460
300	12.5	322.8	22	414	464	510	25	10	600	500

- 備考：1. 工作壓力：7.5 kgf/cm²。
 2. 凸緣尺寸依JIS G5527 7.5K使用尺寸。
 3. 延性鑄鐵管壁內外採環氧樹脂粉體塗裝，厚度內部為0.3 mm，外部為0.15 mm。
 4. 螺栓、螺帽及華司均為不銹鋼SUS 304 (Ø250、Ø300為三組)。
 5. 壓圈部份以與伸縮管緊密接合為準。

拉桿式伸縮接頭



件號	名稱	材質
1	單凸緣短管	FCD 450
2	伸縮接頭固定螺栓	SUS 304或S30C (鍍鋅)
3	伸縮接頭側圈	FCD 450
4	伸縮接頭鼓圈	FCD 450
5	伸縮接頭膠圈	耐蝕膠圈
6	短管固定螺栓	SUS 304或S30C (鍍鋅)

單位：mm

標稱管徑 D	各部尺寸																
	D ₂	D ₃	D ₄	D ₅	D ₆	D ₇	N ₁	N ₂	N ₃	A	B	C	G	L ₁	L ₂	L (Min)	L (Max)
75	93	168	211	255	299	160	4	4	4	19	19	19	8.5	100	125	500	570
100	118	195	238	282	326	186	4	4	4	19	19	19	8.5	110	135	500	580
150	169	247	290	334	378	240	6	4	6	19	19	19	9.0	140	172	600	710
200	220	299	342	386	430	293	8	4	8	19	19	19	11.0	150	184	600	720
250	272	360	410	465	515	348	8	4	8	23	23	19	12.0	160	196	600	730
300	323	414	464	519	569	402	10	5	8	23	23	19	12.5	170	208	600	740
350	374	472	530	592	648	454	10	5	10	25	25	19	13.0	190	232	700	860
400	426	524	582	644	700	513	12	6	12	25	25	19	14.0	200	246	700	870
450	477	585	652	725	787	569	12	6	12	27	27	23	14.5	205	254	700	875
500	528	639	706	779	841	624	12	6	12	27	27	23	16.0	210	259	700	880
600	631	743	810	883	945	730	16	8	14	27	27	23	17.0	220	283	700	890
700	733	854	928	1001	1063	838	16	8	16	33	27	23	17.0	230	296	800	950
800	836	960	1034	1107	1169	945	20	10	20	33	27	23	18.0	240	323	800	950
900	939	1073	1156	1229	1291	1052	20	10	20	33	30	25	19.0	250	335	800	950
1000	1041	1179	1262	1335	1397	1157	24	12	24	33	30	25	20.0	260	352	800	950
1100	1144	1283	1336	1439	1501	1265	24	12	28	33	33	27	21.0	260	354	800	950
1200	1246	1387	1470	1543	1605	1368	28	14	32	33	36	27	22.0	280	372	900	1070
1350	1400	1552	1642	1715	1777	1532	28	14	36	39	36	30	24.0	280	384	900	1070
1500	1554	1710	1800	1873	1935	1693	32	16	42	39	39	30	26.0	300	418	1000	1190
1600	1650	1820	1915	1991	2057	1782	36	18	42	39	39	30	27.5	300	426	1200	1390
1650	1701	1870	1965	2041	2107	1831	40	20	42	39	39	30	28.0	300	438	1300	1490
1800	1848	2020	2115	2191	2257	1986	44	22	44	39	39	33	30.0	400	548	1400	1650
2000	2061	2230	2325	2409	2483	2210	48	24	48	46	42	36	32.0	500	660	1500	1750
2100	2164	2335	2430	2514	2588	2316	48	24	48	46	42	36	33.0	500	662	1500	1750
2200	2280	2440	2550	2634	2708	2432	52	26	48	46	45	39	34.0	500	672	1500	1750
2400	2458	2650	2760	2844	2918	2614	56	28	50	46	45	39	36.0	500	684	1600	1850
2600	2684	2850	2960	3055	3140	2845	56	28	50	52	48	42	37.5	500	686	1600	1850

備考：1. 工作壓力：7.5 kgf/cm²。
2. 凸緣尺寸依JIS G5527 7.5K使用尺寸。

SHIN NAN CASTING FACTORY CO., LTD.

凸緣型用接合配件—六角螺栓·螺帽

SHIN NAN CASTING FACTORY CO., LTD.

SHIN NAN CASTING FACTORY CO., LTD.

SHIN NAN CASTING FACTORY CO., LTD.

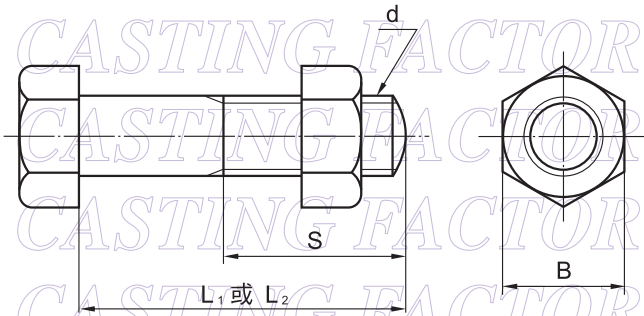
SHIN NAN CASTING FACTORY CO., LTD.

SHIN NAN CASTING FACTORY CO., LTD.

SHIN NAN CASTING FACTORY CO., LTD.

SHIN NAN CASTING FACTORY CO., LTD.

SHIN NAN CASTING FACTORY CO., LTD.



單位：mm

標稱管徑	7.5K						10K						16K						20K					
	螺栓標稱	各部尺度				1組之數量	螺栓標稱	各部尺度				1組之數量	螺栓標稱	各部尺度				1組之數量	螺栓標稱	各部尺度				1組之數量
	d	L ₁	L ₂	S	B		d	L ₁	S	B		d	L ₁	S	B		d	L ₁	S	B				
75	M16	75	75	38	24	4	M16	65	38	24	8	M20	75	46	30	8	M20	80	46	30	8			
100	M16	75	75	38	24	4	M16	65	38	24	8	M20	75	46	30	8	M20	80	46	30	8			
150	M16	75	75	38	24	6	M20	75	46	30	8	M22	85	50	32	12	M22	95	50	32	12			
200	M16	80	80	38	24	8	M20	75	46	30	12	M22	85	50	32	12	M22	95	50	32	12			
250	M20	85	85	46	30	8	M22	80	50	32	12	M24	95	54	36	12	M24	110	54	36	12			
300	M20	85	90	46	30	10	M22	80	50	32	16	M24	95	54	36	16	M24	110	54	36	16			
350	M22	95	95	50	32	10	M22	85	50	32	16	M30	110	66	46	16	M30	130	72	46	16			
400	M22	95	95	50	32	12	M24	100	54	36	16	M30	130	72	46	16	M30	140	72	46	16			
450	M24	100	100	54	36	12	M24	100	54	36	20	M30	130	72	46	20	M30	140	72	46	20			
500	M24	100	110	54	36	12	M24	100	54	36	20	M30	130	72	46	20	M30	150	72	46	20			
600	M24	100	120	54	36	16	M30	110	66	46	24	M36	150	84	55	24	M36	170	84	55	24			
700	M30	110	130	66	46	16	M30	110	66	46	24	M39	160	90	60	24	M45	200	102	70	24			
800	M30	120	130	66	46	20	M30	120	66	46	28	M45	170	102	70	24	M52	220	129	80	24			
900	M30	120	140	66	46	20	M30	120	66	46	28	M45	180	102	70	28	M52	230	129	80	28			
1000	M30	130	150	72	46	24	M36	140	84	55	28	M52	200	116	80	28	-	-	-	-	-			
1100	M30	130	150	72	46	24	M36	140	84	55	28	M52	210	116	80	32	-	-	-	-	-			
1200	M30	140	160	72	46	28	M36	140	84	55	32	M52	210	116	80	32	-	-	-	-	-			
1350	M36	150	170	84	55	28	M42	160	96	65	36	M56	230	137	85	32	-	-	-	-	-			
1500	M36	150	180	84	55	32	M42	160	96	65	40	M56	240	137	85	36	-	-	-	-	-			
1600	M36	160	-	84	55	36	M45	180	102	70	40	-	-	-	-	-	-	-	-	-	-			
1650	M36	160	-	84	55	40	M45	180	102	70	40	-	-	-	-	-	-	-	-	-	-			
1800	M36	160	-	84	55	44	M45	190	102	70	44	-	-	-	-	-	-	-	-	-	-			
2000	M42	170	-	96	65	48	M45	190	102	70	48	-	-	-	-	-	-	-	-	-	-			
2100	M42	170	-	96	65	48	M45	200	102	70	52	-	-	-	-	-	-	-	-	-	-			
2200	M42	180	-	96	65	52	M52	220	129	80	52	-	-	-	-	-	-	-	-	-	-			
2400	M42	180	-	96	65	56	M52	230	129	80	56	-	-	-	-	-	-	-	-	-	-			
2600	M48	190	-	108	75	56	M52	240	129	80	60	-	-	-	-	-	-	-	-	-	-			

備考：1. 六角螺栓、螺帽，依CNS之規定。

2. L₁尺度為要接合RF型—RF型或RF型—GF型凸緣時使用之。

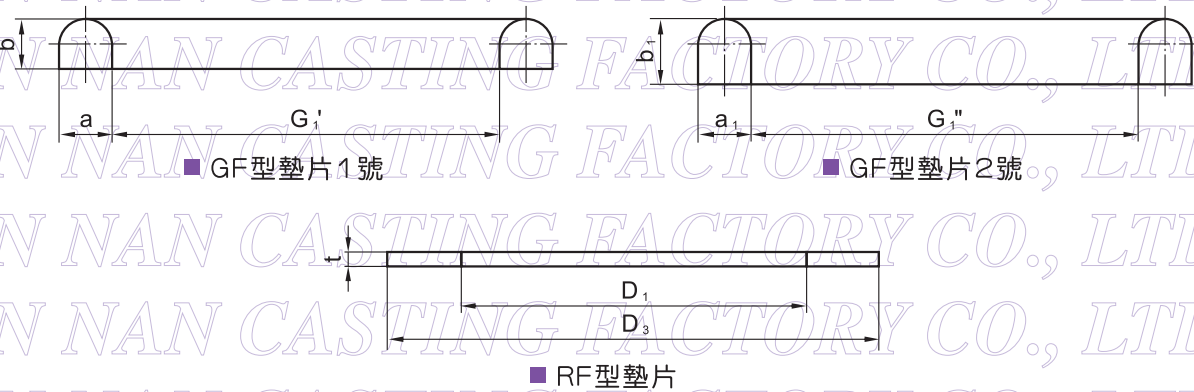
3. L₂尺度為要接合RF型或GF型凸緣與制水閘時使用之。

4. 標稱管徑600 mm ()內L₁尺度為RF型或GF型凸緣與人孔蓋接合時使用之。

5. 標稱管徑700~900 mm ()內S尺度，表示L₂之場合。

SHIN NAN CASTING FACTORY CO., LTD.

凸緣型用接合配件—墊片



單位：mm

標稱管徑	GF型墊片1號			GF型墊片2號			RF型墊片		
	各部尺度			各部尺度			各部尺度		
	G ₁ '	a	b	G ₁ ''	a ₁	b ₁	D ₁	D ₃	t
75	98	8	8	90	9	12.5	85	125	3
100	123	8	8	115	9	12.5	110	152	3
150	178	8	8	170	9	12.5	160	204	3
200	228	8	8	220	9	12.5	210	256	3
250	283	8	8	274	9	12.5	260	308	3
300	333	8	8	324	9	12.5	310	362	3
350	383	8	8	374	9	12.5	360	414	3
400	433	8	8	424	9	12.5	410	466	3
450	483	8	8	474	9	12.5	460	518	3
500	525	8	8	529	9	12.5	510	572	3
600	627	8	8	628	9	12.5	610	676	3
700	723	8	8	728	9	12.5	710	780	3
800	825	8	8	829	9	12.5	810	886	3
900	926	8	8	931	9	12.5	910	990	3
1000	1021	12	12	1021	15	18.5	1010	1096	3
1100	1121	12	12	1121	15	18.5	1110	1200	3
1200	1222	12	12	1222	15	18.5	1210	1304	3
1350	1376	12	12	1376	15	18.5	1360	1462	3
1500	1528	12	12	1528	15	18.5	1510	1620	3
1600	1640	18	18	1640	23	26.5	1610	1760	3
1650	1689	18	18	1689	23	26.5	1660	1810	3
1800	1838	18	18	1838	23	26.5	1810	1960	3
2000	2041	18	18	2041	23	26.5	2015	2170	3
2100	2139	18	18	2139	23	26.5	2115	2270	3
2200	2238	18	18	2238	23	26.5	2225	2370	3
2400	2436	18	18	2436	23	26.5	2410	2570	3
2600	2635	22	22	2635	27	31.5	2630	2780	3

備考：RF型墊片為7.5K凸緣用，GF型墊片為7.5K~20K凸緣用。

各部尺度許可差

單位：mm

標稱管徑	GF型墊片1號·2號			RF型墊片		
	G ₁ ' - G ₁ '' (%)	a - a ₁	b - b ₁	D ₁	D ₃	t
75 - 200	+1.0 0			+2.0 0	0 -2.0	
250 - 450				+3.0 0	0 -3.0	
500 - 700	±0.3	±0.3		+4.0 0	0 -4.0	+0.5 -0.3
800 - 1000				+6.0 0	0 -5.0	
1100 - 1500	-1.0			+7.0 0	0 -6.0	
1600 - 2600				+8.0 0	0 -7.0	

SHIN NAN

提供顧客滿意的品質 · 保證永續經營的服務

總 公 司： 台南市北區公園路435號

Head Office 435, Kung Yuan Road, Tainan City 70462, Taiwan, R.O.C.
Tel:+886-6-2513646 Fax:+886-6-2514898

台北辦事處： 台北市大安區永康街23巷19號

Taipei Office 19, Lane 23, Yung Kang St., Taipei City 10650, Taiwan, R.O.C.
Tel:+886-2-23412580 Fax:+886-2-23943355

永 康 廠： 台南縣永康市鹽洲里洲尾街72號

Yung Kang Plant 72, Jou Wei St., Yen Jou Li, Yung Kang City, Tainan Hsien 71044, Taiwan, R.O.C.
Tel:+886-6-2534185 Fax:+886-6-2533554

山 上 廠： 台南縣山上鄉明和村北勢洲90號

Sun Shine Plant 90, Pei Shu Jou, Ming Ho Village, Shan Shang Hsiang, Tainan Hsien 74342, Taiwan, R.O.C.
Tel:+886-6-5781940 Fax:+886-6-5781915