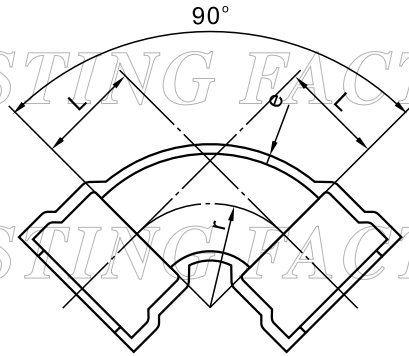




Tyton 90° Bends



Unit : mm

Nominal size DN	e	L	r approx.	Mass (Kg)
80	7.0	100	80	8.6
100	7.2	120	95	11.4
150	7.8	170	145	20.5
200	8.4	220	195	33.0
250	9.0	270	245	48.5
300	9.6	320	290	68.0
350	10.2	370	340	97.5
400	10.8	420	390	124.0
450	11.4	470	435	143.0
500	12.0	520	485	193.0
600	13.2	620	580	273.0
700	14.4	720	655	455.0
800	15.6	820	745	605.0
900	16.8	920	855	813.0
1000	18.0	1020	945	1045.0
1100	19.2	1120	1065	1358.0
1200	20.4	1220	1155	1663.0