



☛ All Flanged Tees

Unit: mm

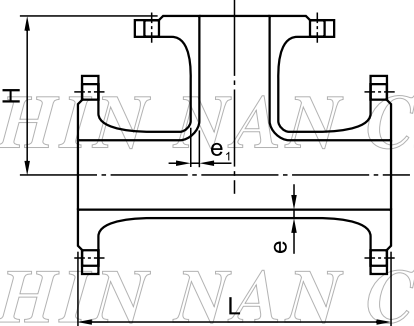
Nominal size		e	e ₁	L	H	Mass with flange (Kg)			
Body DN	Branch dn					PN 10	PN 16	PN 25	
	80	80	7.0	7.0	330	165	13.7	13.7	13.7
	100	80	7.2	7.0	360	175	15.9	15.9	16.9
		100	7.2	7.2	360	180	16.5	16.5	18.0
	150	80	7.8	7.0	440	205	24.0	24.0	26.0
		100	7.8	7.2	440	210	24.7	24.7	27.2
		150	7.8	7.8	440	220	27.1	27.1	30.1
	200	80	8.4	7.0	520	235	34.7	34.3	38.5
		100	8.4	7.2	520	240	35.4	35.0	39.7
		150	8.4	7.8	520	250	37.9	37.5	42.7
		200	8.4	8.4	520	260	40.7	40.1	46.4
	250	80	9.0	7.0	700	265	53.8	53.0	60.8
		100	9.0	7.2	700	275	54.6	53.8	62.1
150		9.0	7.8	700	300	57.4	56.6	65.4	
200		9.0	8.4	700	325	61.0	60.0	69.9	
250		9.0	9.0	700	350	65.8	64.6	76.3	
300	80	9.6	7.0	800	290	74.0	73.2	84.4	
	100	9.6	7.2	800	300	74.8	74.0	85.7	
	150	9.6	7.8	800	325	77.7	76.9	89.1	
	200	9.6	8.4	800	350	81.2	80.2	93.5	
	250	9.6	9.0	800	375	86.0	84.8	99.9	
	300	9.6	9.6	800	400	91.7	90.5	107.3	
350	80	10.2	7.0	850	325	90.6	96.8	113.4	
	100	10.2	7.2	850	325	91.2	97.4	114.5	
	150	10.2	7.8	850	325	93.5	99.7	117.3	
	200	10.2	8.4	850	325	95.9	101.9	120.6	
	250	10.2	9.0	850	325	99.1	104.9	125.4	
	300	10.2	9.6	850	425	108.0	113.8	136.0	
400	350	10.2	10.2	850	425	110.6	119.9	144.8	
	80	10.8	7.0	900	350	110.9	122.1	144.7	
	100	10.8	7.2	900	350	111.6	122.8	145.9	
	150	10.8	7.8	900	350	113.8	125.0	148.6	
	200	10.8	8.4	900	350	116.3	127.3	152.0	
	250	10.8	9.0	900	350	119.5	130.3	156.8	
	300	10.8	9.6	900	450	128.4	139.2	167.4	
	350	10.8	10.2	900	450	130.9	145.2	176.1	
450	400	10.8	10.8	900	450	134.2	151.0	184.9	
	80	11.4	7.0	950	375	134.3	150.1	171.9	
	100	11.4	7.2	950	375	135.0	150.8	173.1	
	150	11.4	7.8	950	375	137.2	153.0	175.8	
	200	11.4	8.4	950	375	139.7	155.3	179.2	
	250	11.4	9.0	950	375	142.9	158.3	184.0	
	300	11.4	9.6	950	475	151.8	167.2	194.6	
	350	11.4	10.2	950	475	154.3	173.2	203.3	
500	400	11.4	10.8	950	475	157.5	178.9	212.0	
	450	11.4	11.4	950	475	160.9	184.6	217.3	
	80	12.0	7.0	1000	400	161.5	191.9	215.3	
	100	12.0	7.2	1000	400	162.2	192.6	216.5	
	150	12.0	7.8	1000	400	164.4	194.8	219.2	
	200	12.0	8.4	1000	400	166.9	197.1	222.6	
	250	12.0	9.0	1000	400	170.0	200.0	227.3	
	300	12.0	9.6	1000	500	178.9	208.9	237.9	
500	350	12.0	10.2	1000	500	181.5	215.0	246.7	
	400	12.0	10.8	1000	500	184.7	220.7	255.4	
	450	12.0	11.4	1000	500	188.0	226.3	260.6	
	500	12.0	12.0	1000	500	191.6	237.2	272.3	



☛ All Flanged Tees

Unit: mm

Nominal size		e	e ₁	L	H	Mass with flange (Kg)			
Body DN	Branch dn					PN 10	PN 16	PN 25	
600	80	13.2	7.0	1100	450	233.7	283.3	315.1	
	100	13.2	7.2	1100	450	234.4	284.0	316.3	
	150	13.2	7.8	1100	450	236.6	286.2	319.0	
	200	13.2	8.4	1100	450	239.0	288.4	322.3	
	250	13.2	9.0	1100	450	242.2	291.4	327.1	
	300	13.2	9.6	1100	550	251.1	300.3	337.7	
	350	13.2	10.2	1100	550	253.6	306.3	346.4	
	400	13.2	10.8	1100	550	256.8	312.0	355.1	
	450	13.2	11.4	1100	550	260.1	317.6	360.3	
	500	13.2	12.0	1100	550	263.6	328.4	371.9	
	600	13.2	13.2	1100	550	274.5	348.9	396.6	
	700	150	14.4	7.8	595	520	198.1	231.7	298.7
		200	14.4	8.4	650	525	211.3	244.7	312.8
		250	14.4	9.0	705	535	225.6	258.8	328.7
		300	14.4	9.6	760	540	240.0	273.2	344.8
350		14.4	10.2	815	550	252.9	289.6	363.9	
400		14.4	10.8	870	555	266.2	305.4	382.7	
450		14.4	11.4	925	565	280.2	321.7	398.6	
500		14.4	12.0	980	570	294.2	343.0	420.7	
800	600	14.4	13.2	1200	585	348.0	406.4	488.3	
	700	14.4	14.4	1200	600	356.7	407.1	506.1	
	150	15.6	7.8	635	580	266.5	304.9	404.3	
	200	15.6	8.4	690	585	282.2	320.4	420.9	
	250	15.6	9.0	745	595	299.1	337.1	439.4	
	300	15.6	9.6	800	600	316.1	354.1	458.1	
	350	15.6	10.2	855	610	331.5	373.0	479.7	
	400	15.6	10.8	910	615	347.5	391.5	501.2	
900	450	15.6	11.4	965	625	364.1	410.4	519.7	
	500	15.6	12.0	1020	630	380.7	434.3	544.4	
	600	15.6	13.2	1350	645	470.5	533.7	648.0	
	700	15.6	14.4	1350	660	480.4	535.6	667.0	
	800	15.6	15.6	1350	675	494.5	552.1	699.7	
	150	16.8	7.8	675	640	328.3	376.1	497.9	
	200	16.8	8.4	730	645	346.8	394.4	517.3	
	250	16.8	9.0	785	655	366.5	413.9	538.6	
	300	16.8	9.6	840	660	386.3	433.7	560.1	
	350	16.8	10.2	895	670	404.6	455.5	584.6	
900	400	16.8	10.8	950	675	423.3	476.7	608.8	
	450	16.8	11.4	1005	685	442.8	498.5	630.2	
	500	16.8	12.0	1060	690	462.2	525.2	657.7	
	600	16.8	13.2	1500	705	599.8	672.4	809.1	
	700	16.8	14.4	1500	720	610.8	675.4	829.2	
	800	16.8	15.6	1500	735	624.6	691.6	861.6	
	900	16.8	16.8	1500	750	634.4	706.1	887.3	





☛ All Flanged Tees

Unit : mm

Nominal size		e	e ₁	L	H	Mass with flange (Kg)		
Body DN	Branch dn					PN 10	PN 16	PN 25
1000	150	18.0	7.8	715	700	412.5	495.5	652.1
	200	18.0	8.4	770	705	434.0	516.8	674.5
	250	18.0	9.0	825	715	456.7	539.3	698.8
	300	18.0	9.6	880	720	479.6	562.2	723.4
	350	18.0	10.2	935	730	500.9	587.0	750.9
	400	18.0	10.8	990	735	522.7	611.3	778.2
	450	18.0	11.4	1045	745	545.3	636.2	802.7
	500	18.0	12.0	1100	750	567.8	666.0	833.3
	600	18.0	13.2	1650	765	766.5	874.3	1045.8
	700	18.0	14.4	1650	780	777.5	877.3	1065.9
	800	18.0	15.6	1650	795	792.0	894.2	1099.0
	900	18.0	16.8	1650	810	802.2	909.1	1125.1
	1000	18.0	18.0	1650	825	819.3	943.8	1177.2
	1100	150	19.2	7.8	690	760	493.7	563.7
200		19.2	8.4	750	765	520.6	590.4	738.3
250		19.2	9.0	805	775	546.6	616.2	765.9
300		19.2	9.6	865	780	574.8	644.4	795.8
350		19.2	10.2	920	790	599.4	672.5	826.6
400		19.2	10.8	980	795	626.5	702.1	859.2
450		19.2	11.4	1040	805	654.4	732.3	889.0
500		19.2	12.0	1095	810	680.3	765.5	923.0
600		19.2	13.2	1210	825	739.0	833.8	995.5
700		19.2	14.4	1330	840	795.0	881.8	1060.6
800		19.2	15.6	1445	855	858.3	947.5	1142.5
900		19.2	16.8	1560	870	914.5	1008.4	1214.6
1000		19.2	18.0	1675	885	977.6	1089.1	1312.7
1100		19.2	19.2	1790	900	1047.3	1152.3	1371.0
1200	150	20.4	7.8	715	820	578.4	707.0	907.0
	200	20.4	8.4	775	825	609.1	737.5	938.6
	250	20.4	9.0	830	835	638.6	766.8	969.7
	300	20.4	9.6	890	840	670.7	798.9	1003.5
	350	20.4	10.2	950	850	701.1	832.8	1040.1
	400	20.4	10.8	1005	855	729.9	864.1	1074.4
	450	20.4	11.4	1065	865	761.6	898.1	1108.0
	500	20.4	12.0	1120	870	791.1	934.9	1145.6
	600	20.4	13.2	1240	885	859.6	1013.0	1227.9
	700	20.4	14.4	1355	900	921.2	1066.6	1298.6
	800	20.4	15.6	1470	915	992.0	1139.8	1388.0
	900	20.4	16.8	1585	930	1055.9	1208.4	1467.8
	1000	20.4	18.0	1700	945	1126.6	1296.7	1573.5
	1100	20.4	19.2	1820	960	1206.3	1369.9	1641.8
1200	20.4	20.4	1935	975	1273.2	1466.1	1764.6	

