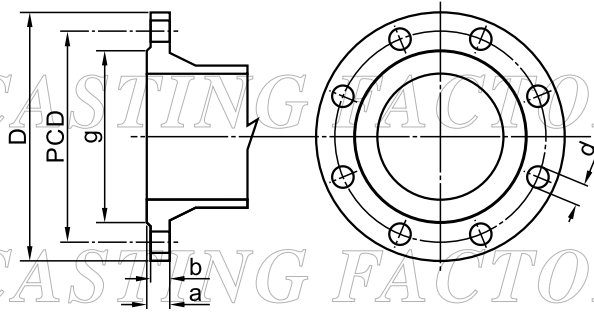




Flanges



Unit : mm

Nominal size	PN 10							PN 16							
	DN	D	g	a	b	Holes			D	g	a	b	Holes		
						PCD	No.	d					PCD	No.	d
80	200	132	19.0	16.0	160	8	19	200	132	19.0	16.0	160	8	19	
100	220	156	19.0	16.0	180	8	19	220	156	19.0	16.0	180	8	19	
150	285	211	19.0	16.0	240	8	23	285	211	19.0	16.0	240	8	23	
200	340	266	20.0	17.0	295	8	23	340	266	20.0	17.0	295	12	23	
250	400	319	22.0	19.0	350	12	23	400	319	22.0	19.0	355	12	28	
300	455	370	24.5	20.5	400	12	23	455	370	24.5	20.5	410	12	28	
350	505	429	24.5	20.5	460	16	23	520	429	26.5	22.5	470	16	28	
400	565	480	24.5	20.5	515	16	28	580	480	28.0	24.0	525	16	31	
450	615	527	25.5	21.5	565	20	28	640	544	30.0	26.0	585	20	31	
500	670	582	26.5	22.5	620	20	28	715	609	31.5	27.5	650	20	34	
600	780	682	30.0	25.0	725	20	31	840	720	36.0	31.0	770	20	37	
700	895	794	32.5	27.5	840	24	31	910	794	39.5	34.5	840	24	37	
800	1015	901	35.0	30.0	950	24	34	1025	901	43.0	38.0	950	24	40	
900	1115	1001	37.5	32.5	1050	28	34	1125	1001	46.5	41.5	1050	28	40	
1000	1230	1112	40.0	35.0	1160	28	37	1255	1112	50.0	45.0	1170	28	43	
1100	1340	1221	42.5	37.5	1270	32	37	1355	1215	53.5	48.5	1270	32	43	
1200	1455	1328	45.0	40.0	1380	32	40	1485	1328	57.0	52.0	1390	32	49	
1400	1675	1530	46.0	41.0	1590	36	43	1685	1530	60.0	55.0	1590	36	49	
1600	1915	1750	49.0	44.0	1820	40	49	1930	1750	65.0	60.0	1820	40	56	

Unit : mm

Nominal size	PN 25							PN 40							
	DN	D	g	a	b	Holes			D	g	a	b	Holes		
						PCD	No.	d					PCD	No.	d
80	200	132	19.0	16.0	160	8	19	200	132	19.0	16.0	160	8	19	
100	235	156	19.0	16.0	190	8	23	235	156	19.0	16.0	190	8	23	
150	300	211	20.0	17.0	250	8	28	300	211	26.0	23.0	250	8	28	
200	360	274	22.0	19.0	310	12	28	375	284	30.0	27.0	320	12	31	
250	425	330	24.5	21.5	370	12	31	450	345	34.5	31.0	385	12	34	
300	485	389	27.5	23.5	430	16	31	515	409	39.5	35.5	450	16	34	
350	555	448	30.0	26.0	490	16	34								
400	620	503	32.0	28.0	550	16	37								
450	670	553	34.5	30.5	600	20	37								
500	730	609	36.5	32.5	660	20	37								
600	845	720	42.0	37.0	770	20	40								
700	960	820	46.5	41.5	875	24	43								
800	1085	928	51.0	46.0	990	24	49								
900	1185	1028	55.5	50.5	1090	28	49								
1000	1320	1140	60.0	55.0	1210	28	56								
1100	1420	1240	64.5	59.5	1310	32	56								
1200	1530	1350	69.0	64.0	1420	32	56								