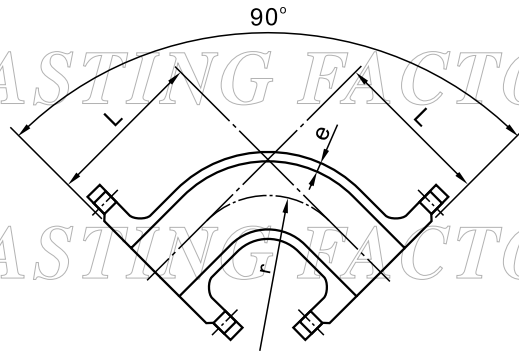




Double Flanged 90° Bends



Unit : mm

Nominal size DN	e	L	r approx.	Mass with flange (Kg)		
				PN 10	PN 16	PN 25
80	7.0	165	115	9.7	9.7	9.7
100	7.2	180	120	11.9	11.9	12.9
150	7.8	220	155	20.0	20.0	22.0
200	8.4	260	190	30.9	30.5	34.7
250	9.0	350	275	50.3	49.5	57.3
300	9.6	400	315	70.8	70.0	81.2
350	10.2	450	360	89.8	96.0	112.6
400	10.8	500	405	115.8	127.0	149.6
450	11.4	550	450	144.2	160.0	181.8
500	12.0	600	490	180.6	211.0	234.4
600	13.2	700	580	275.4	325.0	356.8
700	14.4	800	685	382.4	416.0	482.0
800	15.6	900	785	533.6	572.0	670.4
900	16.8	1000	875	697.2	745.0	865.8
1000	18.0	1100	965	907.0	990.0	1145.6
1100	19.2	1200	1055	1163.0	1233.0	1378.8
1200	20.4	1300	1145	1444.4	1573.0	1772.0