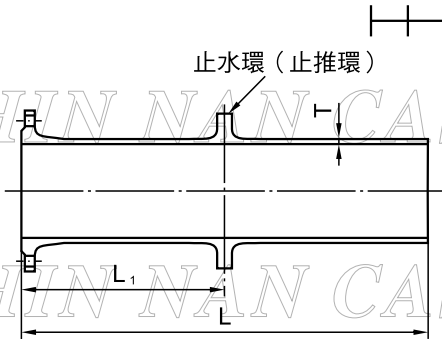
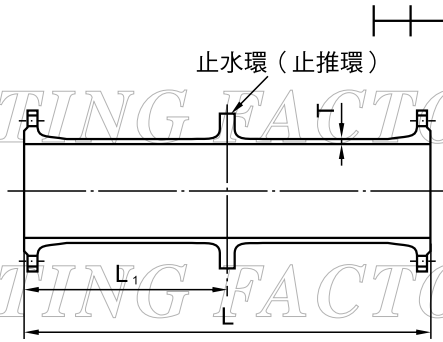




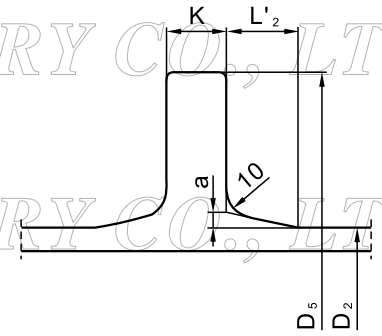
過牆管



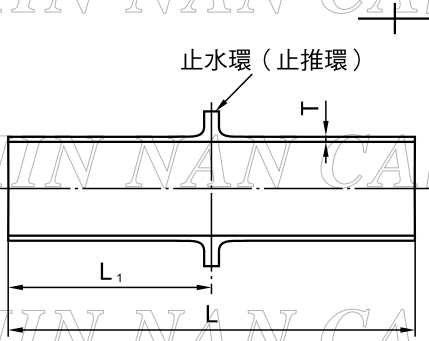
■ 單凸緣過牆管



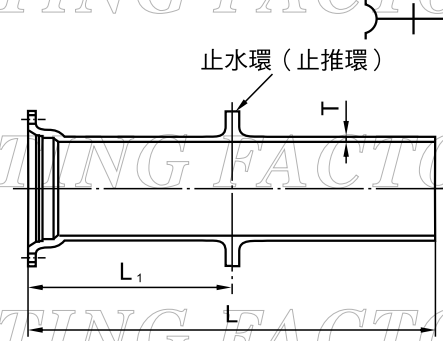
■ 雙凸緣過牆管



■ 止水環 (止推環)



■ 無接頭過牆管



■ 單承口過牆管

單位：mm

標稱管徑	管厚	外徑	各部尺度					止水環 (止推環)	質 量 (Kg)								
			D ₂	D ₅	K	a	L' ₂		凸 緣 部								直部 1m
									7.5K		10K		16K		20K		
D	T						RF型	GF型	RF型	GF型	RF型	GF型	RF型	GF型			
75	8.5	93.0	185	18	5	25	2.91	3.77	3.66	2.28	2.17	3.00	2.89	3.29	3.18	16.134	
100	8.5	118.0	210	18	5	25	3.46	4.55	4.40	2.75	2.61	3.98	3.84	4.33	4.18	20.907	
150	9.0	169.0	280	22	5	25	6.73	6.22	6.02	5.59	5.39	7.73	7.53	8.90	8.70	32.346	
200	11.0	220.0	330	22	5	25	8.22	8.06	7.80	6.75	6.49	9.89	9.63	11.20	11.00	51.641	
250	12.0	271.6	390	24	5	25	11.50	11.50	11.10	10.70	10.40	16.50	16.20	19.60	19.30	69.975	
300	12.5	322.8	445	24	5	25	13.70	14.20	13.80	11.40	11.00	19.70	19.30	23.10	22.70	87.126	
350	13.0	374.0	500	26	5	25	17.30	18.80	18.30	13.40	12.90	26.00	25.60	30.00	29.50	105.416	
400	14.0	425.6	560	28	5	25	22.30	21.80	21.30	19.40	18.90	36.00	35.50	42.80	42.30	129.437	
450	14.5	476.8	620	30	5	25	28.10	28.30	27.70	24.70	24.10	47.30	46.70	55.50	54.90	150.573	
500	15.0	528.0	675	30	5	25	31.60	32.00	31.40	28.30	27.60	56.30	55.70	65.40	64.80	172.848	
600	16.0	630.8	795	32	6	30	45.00	38.90	38.20	39.00	38.30	75.00	74.20	86.10	85.30	220.958	
700	17.0	733.0	905	34	7	35	58.20	49.90	49.10	52.10	51.30	98.20	97.40	143.00	142.00	273.412	
800	18.0	836.0	1020	36	8	40	75.50	66.10	65.10	67.70	66.70	132.00	131.00	213.00	212.00	330.736	
900	19.0	939.0	1130	38	9	45	93.40	85.30	84.30	80.30	79.20	156.00	155.00	256.00	255.00	392.643	
1000	20.0	1041.0	1235	40	10	50	111.00	101.00	98.20	100.00	97.20	207.00	204.00	-	-	458.682	
1100	21.0	1144.0	1345	42	11	55	134.00	120.00	116.00	122.00	119.00	237.00	234.00	-	-	529.730	
1200	22.0	1246.0	1465	44	12	60	168.00	140.00	136.00	152.00	148.00	287.00	283.00	-	-	604.867	
1350	24.0	1400.0	1630	48	14	70	220.00	181.00	177.00	194.00	190.00	369.00	365.00	-	-	741.798	
1500	26.0	1554.0	1795	52	16	80	281.00	216.00	212.00	239.00	235.00	451.00	446.00	-	-	892.386	
1600	27.5	1650.0	-	-	-	-	-	275.00	264.00	295.00	284.00	-	-	-	-	1002.244	
1650	28.0	1701.0	-	-	-	-	-	286.00	275.00	308.00	296.00	-	-	-	-	1052.228	
1800	30.0	1848.0	-	-	-	-	-	318.00	306.00	358.00	345.00	-	-	-	-	1225.099	
2000	32.0	2061.0	-	-	-	-	-	360.00	346.00	421.00	408.00	-	-	-	-	1458.438	
2100	33.0	2164.0	-	-	-	-	-	386.00	372.00	461.00	447.00	-	-	-	-	1579.622	
2200	34.0	2280.0	-	-	-	-	-	424.00	409.00	494.00	479.00	-	-	-	-	1715.318	
2400	36.0	2458.0	-	-	-	-	-	538.00	522.00	651.00	634.00	-	-	-	-	1958.540	
2600	37.5	2684.0	-	-	-	-	-	549.00	525.00	683.00	659.00	-	-	-	-	2229.252	

備考：L、L₁長度可由客戶指定。