



雙凸緣帶座彎管

SHIN NAN CASTING FACTORY CO., LTD.

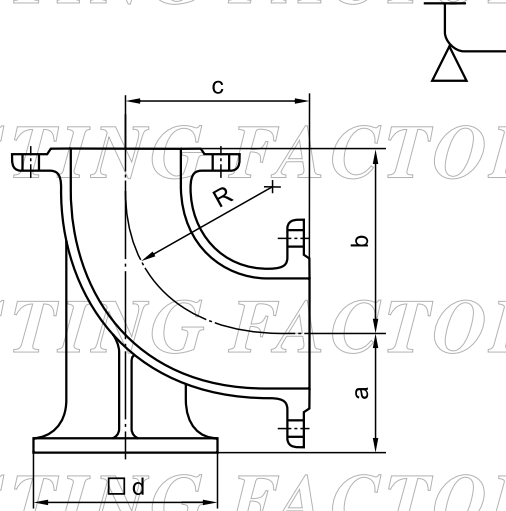
SHIN NAN CASTING FACTORY CO., LTD.

SHIN NAN CASTING FACTORY CO., LTD.

SHIN NAN CASTING FACTORY CO., LTD.

SHIN NAN CASTING FACTORY CO., LTD.

SHIN NAN CASTING FACTORY CO., LTD.



單位：mm

標稱管徑	管厚	各部尺度					質量 (Kg)
		a	b	c	d	R	
100	8.5	120	200	200	200	155	25.0
150	9.0	150	250	250	250	200	37.7

SHIN NAN CASTING FACTORY CO., LTD.

SHIN NAN CASTING FACTORY CO., LTD.

SHIN NAN CASTING FACTORY CO., LTD.

SHIN NAN CASTING FACTORY CO., LTD.

SHIN NAN CASTING FACTORY CO., LTD.

SHIN NAN CASTING FACTORY CO., LTD.