



K型帶座彎管

SHIN NAN CASTING FACTORY CO., LTD.

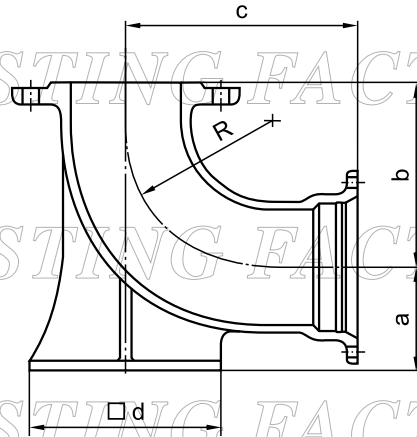
SHIN NAN CASTING FACTORY CO., LTD.

SHIN NAN CASTING FACTORY CO., LTD.

SHIN NAN CASTING FACTORY CO., LTD.

SHIN NAN CASTING FACTORY CO., LTD.

SHIN NAN CASTING FACTORY CO., LTD.



單位：mm

標稱管徑	管厚	各部尺度					質量 (Kg)
		a	b	c	d	R	
100	8.5	116.0	197	271.5	200	150	25.33
150	9.0	143.5	248	321.5	250	200	40.88

SHIN NAN CASTING FACTORY CO., LTD.

SHIN NAN CASTING FACTORY CO., LTD.

SHIN NAN CASTING FACTORY CO., LTD.

SHIN NAN CASTING FACTORY CO., LTD.

SHIN NAN CASTING FACTORY CO., LTD.

SHIN NAN CASTING FACTORY CO., LTD.