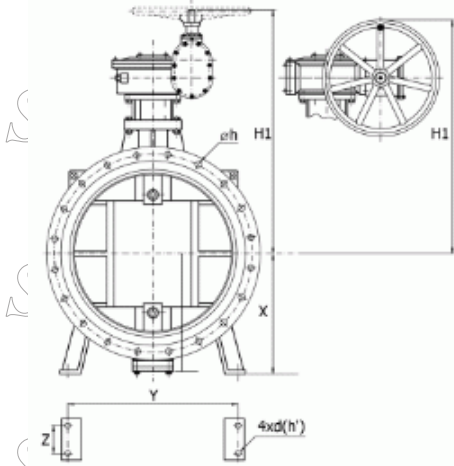


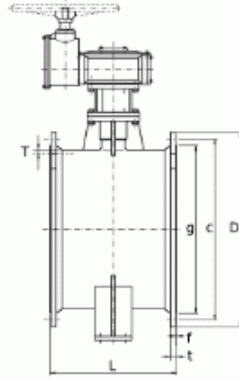


Long Body Type Butterfly Valves – Single Disc Type

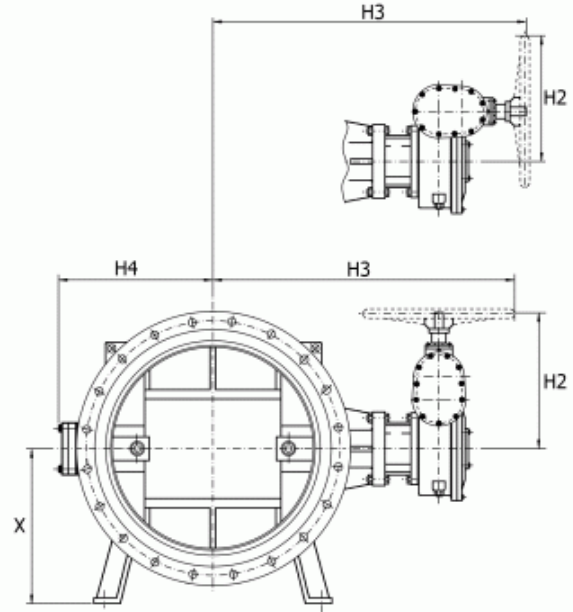
SHIN NAN CASTING



■ 長體型蝶閥-單閥瓣立式
Long Body Type Butterfly Valves
(Single Disc & Vertical Type)



■ 長體型蝶閥-單閥瓣臥式
Long Body Type Butterfly Valves
(Single Disc & Horizontal Type)



SHIN NAN CASTING FACTORY CO., LTD. Unit: mm

Nom. Dia.	Flange Dimensions											Dimensions of Valve Body (min.)					Height and Length (max.)									
	Class 1 & 2						Class 3					X	Y	Z	h'	d	L	H1	H2	H3	H4					
	O.D.	O.D. of Gasket Seat	Bolt Hole		Bolt Designation	Thickness	O.D.	O.D. Gasket Seat	Bolt Hole		Bolt Designation											Thickness				
			Dia. of Pitch Circle	h					No.	Dia. of Pitch Circle													h	No.		
D	g	c			t	f	D	g	c			t	f													
400	582	466	524	25	12	M22	27	4	560	475	510	27	16	M24	29	3	400	400	150	20	M18	470	1050	550	1050	450
450	652	518	585	27	12	M24	28	4	620	530	565	27	20	M24	30	3	400	450	150	20	M18	500	1100	550	1100	500
500	706	572	639	27	12	M24	29	4	675	585	620	27	20	M24	31	3	400	500	150	20	M18	530	1100	550	1100	500
600	810	676	743	27	16	M24	30	4	795	690	730	33	24	M30	32	3	450	600	150	23	M20	560	1300	650	1300	600
700	928	780	854	33	16	M30	31	4	905	800	840	33	24	M30	34	3	500	700	220	23	M20	610	1350	700	1350	650
800	1034	886	960	33	20	M30	32	4	1020	905	950	33	28	M30	36	3	550	800	220	23	M20	690	1500	750	1600	700
900	1156	990	1073	33	20	M30	33	5	1120	1005	1050	33	28	M30	38	3	600	900	220	27	M24	740	1550	750	1700	750
1000	1262	1096	1179	33	24	M30	34	5	1235	1110	1160	39	28	M36	40	3	650	1000	220	27	M24	770	1650	950	1700	800
1100	1366	1200	1283	33	24	M30	36	5	1345	1220	1270	39	28	M36	42	3	700	1100	230	27	M24	800	1800	950	1800	900
1200	1470	1304	1387	33	28	M30	38	5	1465	1325	1380	39	32	M36	44	3	750	1200	230	27	M24	820	1950	950	1900	950
1350	1642	1462	1552	39	28	M36	40	6	1630	1480	1540	46	36	M42	48	3	825	1350	230	33	M30	850	2050	950	2000	1050
1500	1800	1620	1710	39	32	M36	42	6	1795	1635	1700	46	40	M42	50	3	900	1500	230	33	M30	900	2250	950	2250	1200
1650	1965	1810	1870	39	40	M36	44	6	1965	1810	1870	49	40	M45	56	3	1050	1650	240	40	M36	1000	2350	1000	2300	1350
1800	2115	1960	2020	39	44	M36	46	6	2115	1960	2020	49	44	M45	60	3	1150	1800	240	40	M36	1250	2500	1350	2450	1500
2000	2325	2170	2230	46	48	M42	51	6	2325	2160	2230	49	48	M45	65	3	1250	2000	280	42	M39	1250	2700	1350	2550	1650
2200	2550	2370	2440	46	52	M42	54	6	2550	2360	2440	56	52	M52	71	3	1350	2200	280	42	M39	1350	2800	1350	2650	1750
2400	2760	2570	2650	46	56	M42	57	8	2760	2570	2650	56	56	M52	76	4	1450	2400	300	42	M39	1500	2900	1350	2750	1850
2600	2960	2780	2850	52	56	M48	60	8	2960	2760	2850	56	60	M52	81	4	1550	2600	300	45	M42	1500	3000	1400	2850	1950
3200	-	-	-	-	-	-	-	-	3734	-	3537	79.5	80	M76	95.5	-	1850	3200	320	48	M45	1500	3300	1400	3150	2250

SHIN NAN CASTING FACTORY CO., LTD.